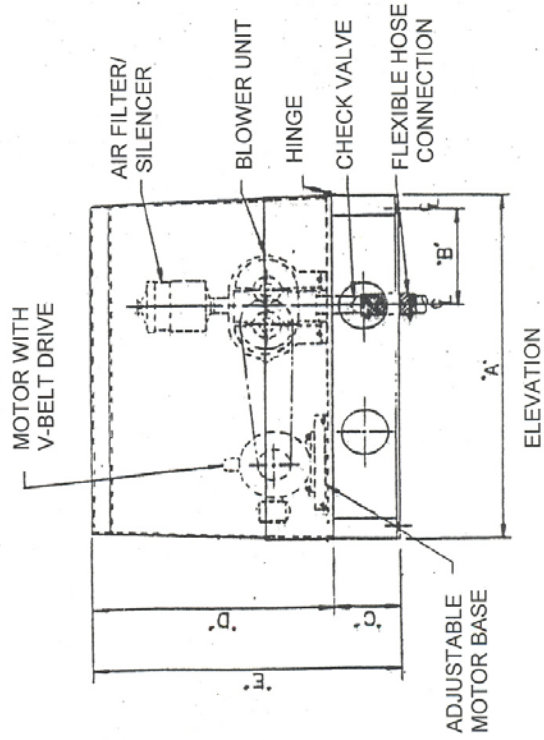
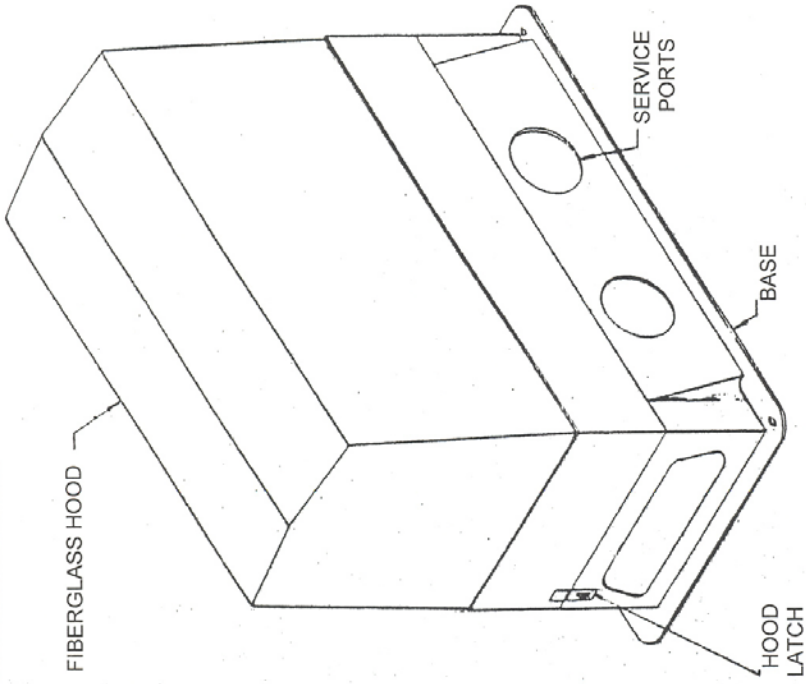
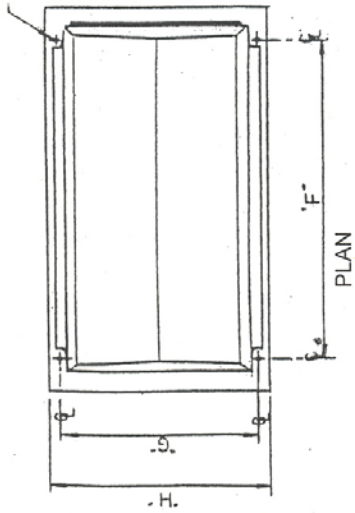


5/16" DIA HOLES
TYP 4 PLACES



MODEL	DIMENSIONS							
	A	B	C	D	E	F	G	H
B	2'-10"	7.5"	7.5"	1'-8"	2'-3.5"	2'-4.5"	1'-10"	2'-1.38"
B-1	3'-7"	10.5"	7.5"	2'-3"	2'-10.5"	3'-2"	2'-0"	2'-3.5"
B-2	4'-3"	12.5"	8"	3'-0"	3'-8"	3'-10.75"	2'-9"	3'-0"

POLLUTION CONTROL
SYSTEMS, INC. BLOWER MOTOR
FIBERGLASS HOUSING