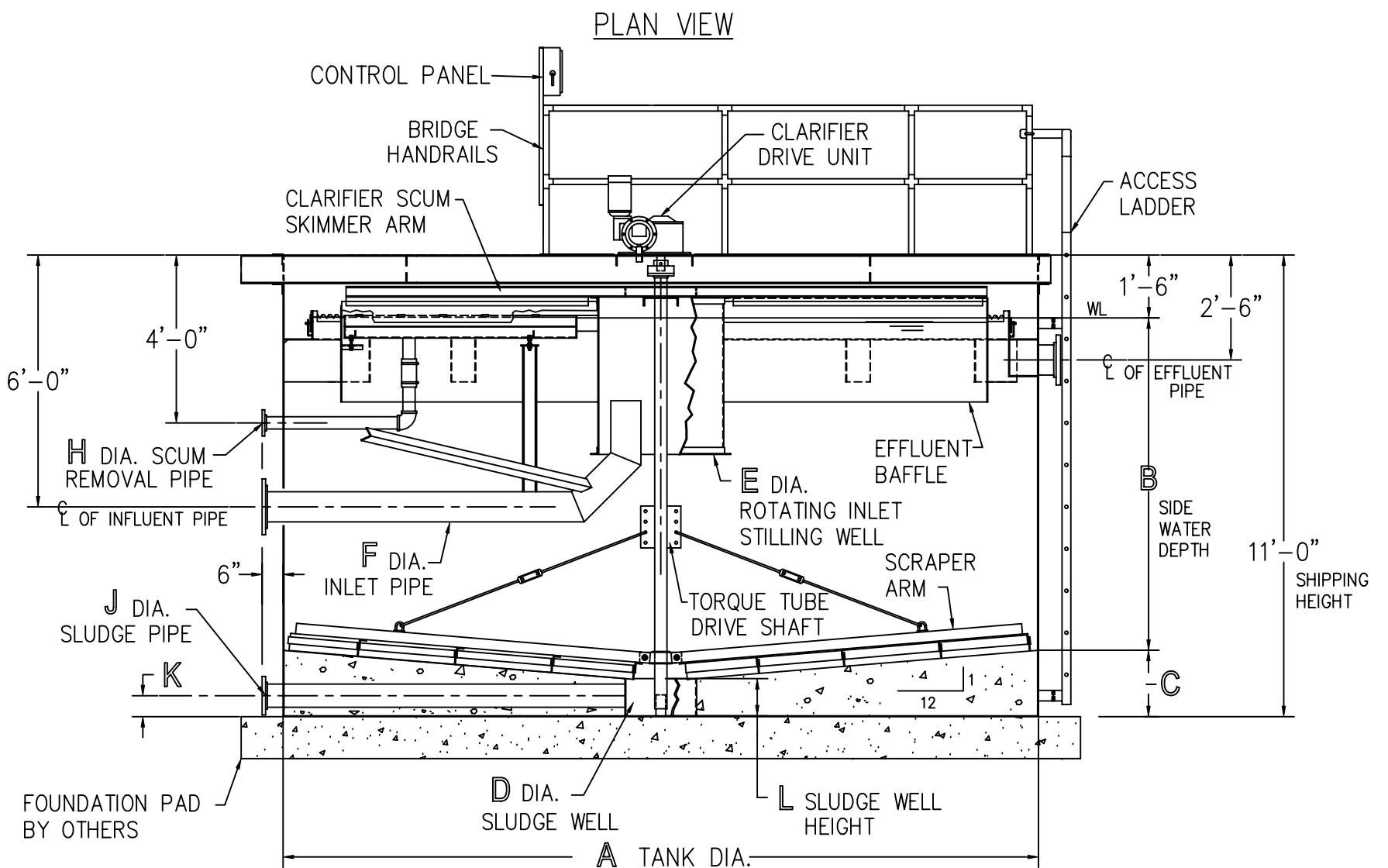
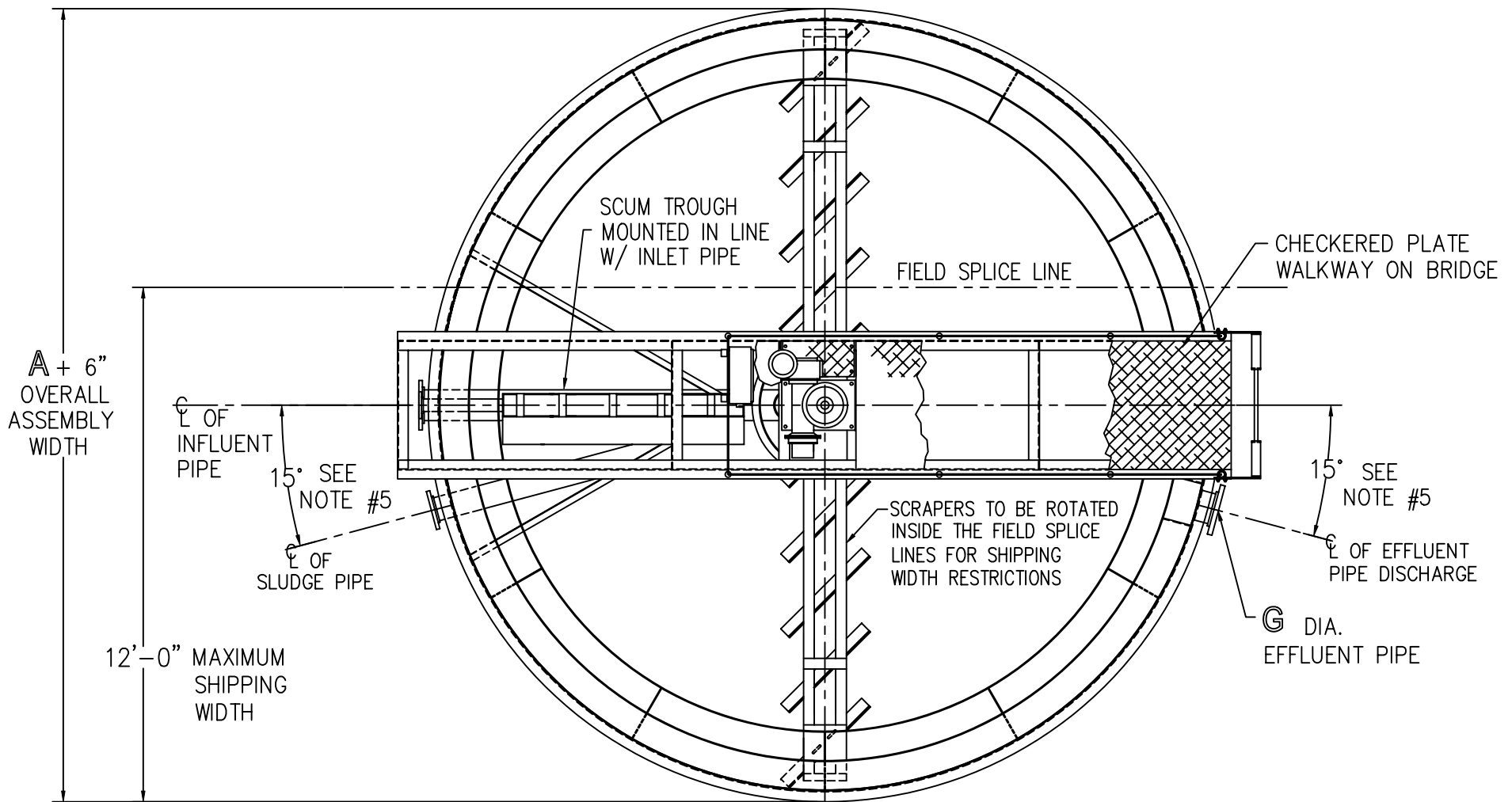


MODEL #	VOLUME	DIM. A	DIM. B	DIM. C	DIM. D	DIM. E	DIM. F	DIM. G	DIM. H	DIM. J	DIM. K	DIM. L



NOTES:

- 1.) ALL EXTERNAL PIPING TO THE TANK IS TO BE SUPPLIED AND INSTALLED BY THE INSTALLATION CONTRACTOR UNLESS OTHERWISE NOTED.
- 2.) FOUNDATION PAD MATERIALS AND DESIGN ARE DETERMINED BY THE PROJECT ENGINEER AFTER SOIL ANALYSIS IS COMPLETED
- 3.) MATERIALS FOR ANCHORING TANK TO THE FOUNDATION PAD IS TO BE SUPPLIED BY OTHERS
- 4.) INCOMING ELECTRICAL POWER, AND CONNECTION TO THE CONTROL PANEL IS BY THE ELECTRICAL CONTRACTOR.
- 5.) CONTACT PCS FOR OTHER ANGLE ORIENTATION OF CONNECTIONS TO CLARIFIER.

SEE CMC-DATA SHEET FOR DIMENSIONAL AND SIZE INFORMATION



Pollution Control Systems, Inc.

5827 Happy Hollow Ln, Suite 1B
Milford, Ohio 45150
(513) 831-1165
E-mail PolConSys@aol.com

PREFABRICATED CIRCULAR MECH. CLARIFIERS

14'-0" DIA. THROUGH 18'-0" DIA.
SINGLE SPLICED
CIRCULAR MECHANICAL CLARIFIERS

SCALE: PLOT 1/4"=1'

PROJECT NO.

DRAWN BY: JJM

DATE: 11-5-99

SHEET

DRAWING NO.

CHECKED BY: JJM

DATE: 11-5-99

1 OF 1

CMC-CAT2

THIS DRAWING CONTAINS INFORMATION THAT IS PROPRIETARY TO POLLUTION CONTROL SYSTEMS AND IS NOT TO BE USED WITHOUT WRITTEN PERMISSION OF POLLUTION CONTROL SYSTEMS INC.

REV.	DATE	DESCRIPTION	APPROV.