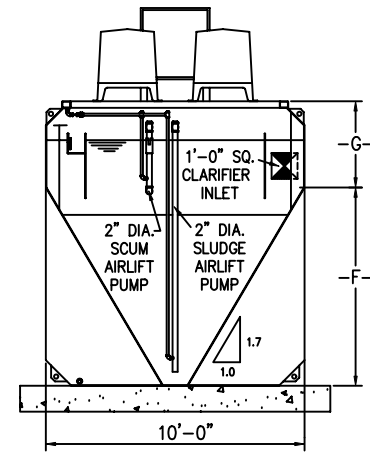
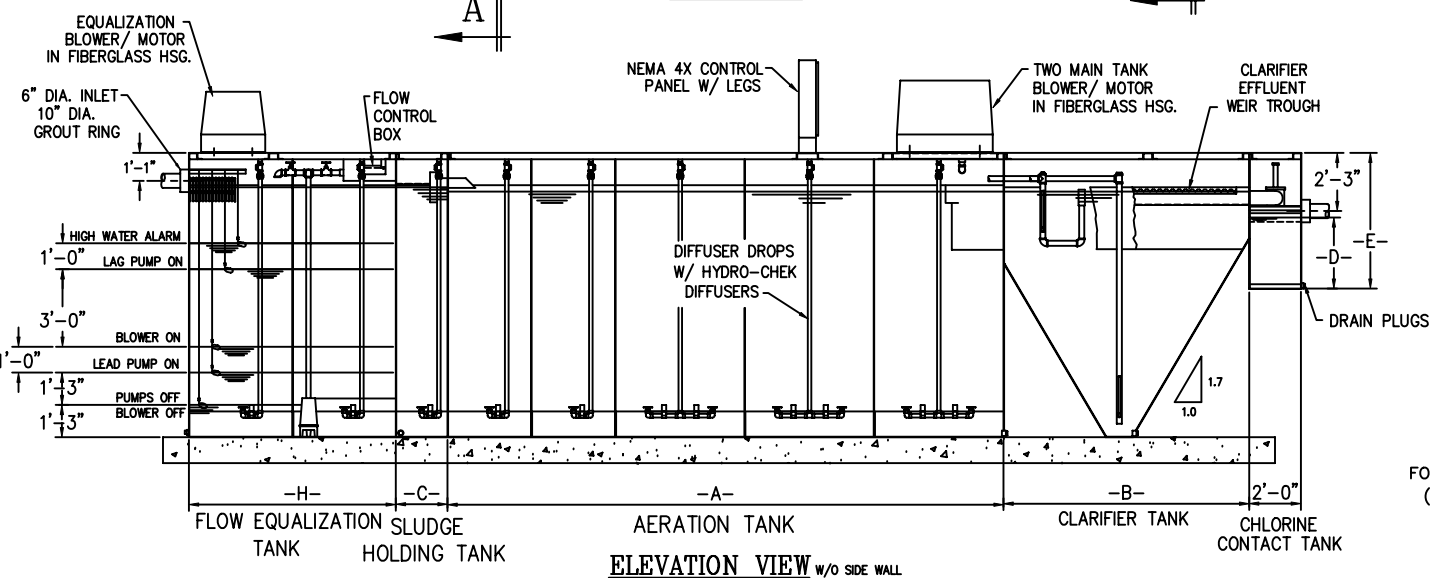


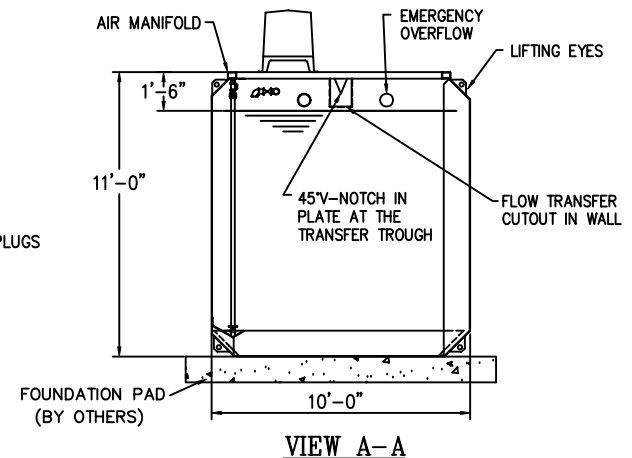
PLAN VIEW



VIEW B-B



ELEVATION VIEW W/O SIDE WALL



VIEW A-A

NOTES:

- 1.) ALL EXTERNAL PIPING TO THE TANK IS TO BE SUPPLIED AND INSTALLED BY THE INSTALLATION CONTRACTOR.
- 2.) FOUNDATION PAD MATERIALS AND DESIGN IS DETERMINED BY THE PROJECT ENGINEER AFTER SOIL ANALYSIS IS COMPLETED
- 3.) MATERIALS FOR ANCHORING OF TANK TO THE FOUNDATION PAD IS TO BE SUPPLIED BY OTHERS
- 4.) INCOMING ELECTRICAL POWER AND CONNECTION TO THE CONTROL PANEL IS BY THE ELECTRICAL CONTRACTOR.

**PCS** Pollution Control Systems, Inc.  
 5827 Hoppy Hollow Ln, Suite 1B  
 Milford, Ohio 45150  
 (513) 831-1165  
 E-mail PolConSys@aol.com

PREFABRICATED PACKAGE TREATMENT PLANT

SCALE: NTS	PROJECT NO.		
DRAWN BY: JJM	DATE: 3/21/98	SHEET	DRAWING NO.
CHECKED BY: JJM	DATE: 3/21/98	1 OF 1	P05-ESC

PLANT MODEL NUMBER	DESIGN FLOW GPD	AERATION TANK VOLUME	CLARIFIER TANK VOLUME	SLUDGE TANK VOLUME	CHLORINE CONTACT TANK-VOL	FLOW EQ. TANK VOLUME	FLOW EQ. BLOWER HP	CFM	MAIN AIR BLOWER HP	CFM
OPTIONAL EQUIPMENT/ MATERIALS/TANKAGE										
FULL TANK GRATING	SCH.40 STL. DROP PIPES	GRINDER PUMPS	NEMA 4X PANEL							
BAR TYPE GRATING	GALVANIZED PIPING	PUMP GUIDE RAILS	REMOTE MOUNTED							
HANDRAILS/ TOEPLATES	STN. STL. DIFFUSERS	EPOXY PAINT SYSTEM	BLOWERS & CONTROLS							
LADDERS/ STAIRWAYS	FROTH SPRAY SYSTEM	DE-CHLORINATION	DOSING TANK							
ANCHOR BRK'TS	COMMINUTER	GAS CHLORINATION	TERTIARY FILTERS							
MAGNESIUM ANODES	POST AERATION	U V DISINFECTION								

REV.	DATE	DESCRIPTION	APPROV.

THIS DRAWING CONTAINS INFORMATION THAT IS PROPRIETARY TO POLLUTION CONTROL SYSTEMS AND IS NOT TO BE USED WITHOUT PERMISSION OF POLLUTION CONTROL SYS. INC.