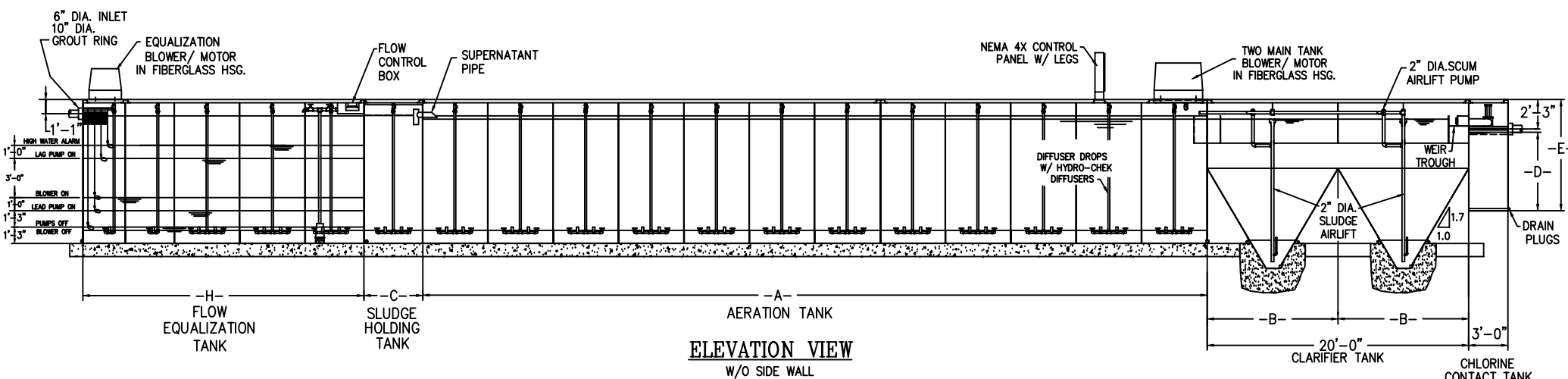


PLAN VIEW



ELEVATION VIEW  
W/O SIDE WALL

SEE DWG. P08B-ESC FOR SECTION VIEWS

NOTES:

- 1.) ALL EXTERNAL PIPING TO THE TANK IS TO BE SUPPLIED AND INSTALLED BY THE INSTALLATION CONTRACTOR.
- 2.) FOUNDATION PAD MATERIALS AND DESIGN IS DETERMINED BY THE PROJECT ENGINEER AFTER SOIL ANALYSIS IS COMPLETED
- 3.) MATERIALS FOR ANCHORING OF TANK TO THE FOUNDATION PAD IS TO BE SUPPLIED BY OTHERS
- 4.) INCOMING ELECTRICAL POWER (AND CONNECTION TO THE CONTROL PANEL IS BY THE ELECTRICAL CONTRACTOR.
- 5.) AERATION TANK MUST HAVE A FIELD SPLICE ON THE X-X AXIS AND WILL REQUIRE FIELD WELDING DUE TO SHIPPING LIMITATIONS. ANY HANDRAILS, LADDERS OR EQUIPMENT MOUNTED ON TOP OF THE TANK MUST SHIP LOOSE FOR FIELD INSTALLATION.

REV.	DATE	DESCRIPTION	APPROV.

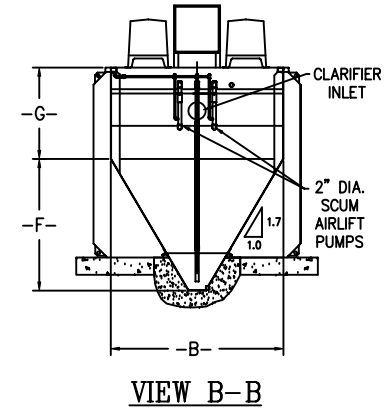
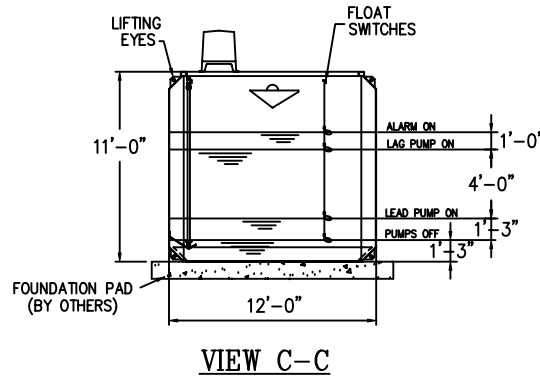
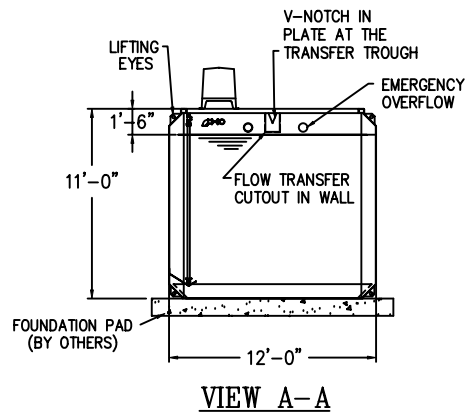
**PCS** Pollution Control Systems, Inc.  
 5827 Happy Hollow Ln, Suite 1B  
 Milford, Ohio 45150  
 (513) 831-1165  
 E-mail PolConSys@aol.com

THIS DRAWING CONTAINS INFORMATION THAT IS PROPRIETARY TO POLLUTION CONTROL SYSTEMS AND IS NOT TO BE USED WITHOUT WRITTEN PERMISSION OF POLLUTION CONTROL SYSTEMS INC.

PREFABRICATED PACKAGE WASTEWATER PLANT			
SCALE: NTS	PROJECT NO.		
DRAWN BY: JUM	DATE: 6/30/98	SHEET	DRAWING NO.
CHECKED BY: JUM	DATE: 7/1/98	1 OF 2	P08A-ESC

PLANT MODEL NUMBER	DESIGN FLOW GPD	AERATION TANK VOLUME	CLARIFIER TANK VOLUME	SLUDGE TANK VOLUME	CHLORINE CONTACT TANK-VOL.	FLOW EQ. TANK VOLUME	FLOW EQ. BLOWER		MAIN AIR BLOWER	
							HP	CFM	HP	CFM

OPTIONAL EQUIPMENT/ MATERIALS/TANKAGE			
FULL TANK GRATING	ANCHOR BRK'TS	COMMINUTER	U V DISINFECTION
BAR TYPE GRATING	MAGNESIUM ANODES	GRINDER PUMPS	NEMA 4X PANEL
WELDED HANDRAILS	SCH.40 STL. DROP PIPES	PUMP GUIDE RAILS	REMOTE MOUNTED BLOWERS & CONTROLS
BOLTED HANDRAILS	GALVANIZED PIPING	EPOXY PAINT SYSTEM	DOSING TANK
HANDRAIL TOEPLATES	STN. STL. DIFFUSERS	DE-CHLORINATION	TERTIARY FILTERS
LADDERS/ STAIRWAYS	FROTH SPRAY SYSTEM	GAS CHLORINATION	




SEE DWG. P08A-ESC FOR PLAN AND ELEVATION VIEW.

NOTES:

- 1.) ALL EXTERNAL PIPING TO THE TANK IS TO BE SUPPLIED AND INSTALLED BY THE INSTALLATION CONTRACTOR.
- 2.) FOUNDATION PAD MATERIALS AND DESIGN IS DETERMINED BY THE PROJECT ENGINEER AFTER SOIL ANALYSIS IS COMPLETED
- 3.) MATERIALS FOR ANCHORING OF TANK TO THE FOUNDATION PAD IS TO BE SUPPLIED BY OTHERS
- 4.) INCOMING ELECTRICAL POWER IAND CONNECTION TO THE THE CONTROL PANEL IS BY THE ELECTRICAL CONTRACTOR.

REV.	DATE	DESCRIPTION	APPROV.

 <b>Pollution Control Systems, Inc.</b> 5827 Happy Hollow Ln, Suite 1B Milford, Ohio 45150 (513) 831-1165 E-mail PolConSys @ aol.com	<b>PREFABRICATED PACKAGE WASTEWATER PLANT</b>			
	SCALE: NTS	PROJECT NO.		
THIS DRAWING CONTAINS INFORMATION THAT IS PROPRIETARY TO POLLUTION CONTROL SYSTEMS AND IS NOT TO BE USED WITHOUT WRITTEN PERMISSION OF POLLUTION CONTROL SYSTEMS INC.	DRAWN BY: JJM	DATE: 6/30/98	SHEET	DRAWING NO.
	CHECKED BY: JJM	DATE: 7/1/98	2 OF 2	P08B-ESC