

SECTION A-A

NOTES:

- 1.) ALL INTERCONNECTING PIPING OUTSIDE OF TANKS IS TO BE SUPPLIED AND INSTALLED BY THE INSTALLATION CONTRACTOR.
- 2.) FOUNDATION PAD MATERIALS AND DESIGN IS DETERMINED BY THE PROJECT ENGINEER AFTER SOIL ANALYSIS IS COMPLETED
- 3.) MATERIALS FOR ANCHORING OF TANK TO THE FOUNDATION PAD IS TO BE SUPPLIED BY OTHERS
- 4.) INCOMING ELECTRICAL POWER AND CONNECTION TO THE CONTROL PANEL IS BY THE ELECTRICAL CONTRACTOR.
- 5.) ENGINEER/CONTRACTOR TO VERIFY ELEVATIONS, ORIENTATION OF PIPING LOCATIONS AND CONNECTIONS AND GRADE ELEVATION.
- 6.) TANKS TO HAVE FIELD SPLICES ON THE X-X AND Y-Y AXIS AND REQUIRE FIELD WELDING DUE TO SHIPPING LIMITATIONS. THE HANDRAILS, LADDERS, BLOWERS & CONTROL PANEL ARE ALSO FIELD MOUNTED AND REQUIRE FIELD ASSEMBLY BY BOLTING OR WELDING.

SEE DWG. P09B-ESC FOR SECTION VIEWS B-B & C-C

PLANT MODEL NUMBER	DESIGN FLOW GPD	AERATION TANK VOLUME	CLARIFIER TANK VOLUME	SLUDGE TANK VOLUME	CHLORINE CONTACT TANK-VOL.	FLOW EQ. TANK VOLUME	FLOW EQ. BLOWER HP	CFM	MAIN AIR BLOWER HP	CFM

OPTIONAL EQUIPMENT/ MATERIALS/TANKAGE

FULL TANK GRATING	ANCHOR BRK'TS	COMMUNITER	U V DISINFECTION
BAR TYPE GRATING	MAGNESIUM ANODES	GRINDER PUMPS	NEMA 4X PANEL
WELDED HANDRAILS	SCH.40 STL. DROP PIPES	PUMP GUIDE RAILS	REMOTE MOUNTED BLOWERS & CONTROLS
BOLTED HANDRAILS	GALVANIZED PIPING	EPOXY PAINT SYSTEM	DOSING TANK
HANDRAIL TOEPLATES	STN. STL. DIFFUSERS	DE-CHLORINATION	TERTIARY FILTERS
LADDERS/ STAIRWAYS	FROTH SPRAY SYSTEM	GAS CHLORINATION	

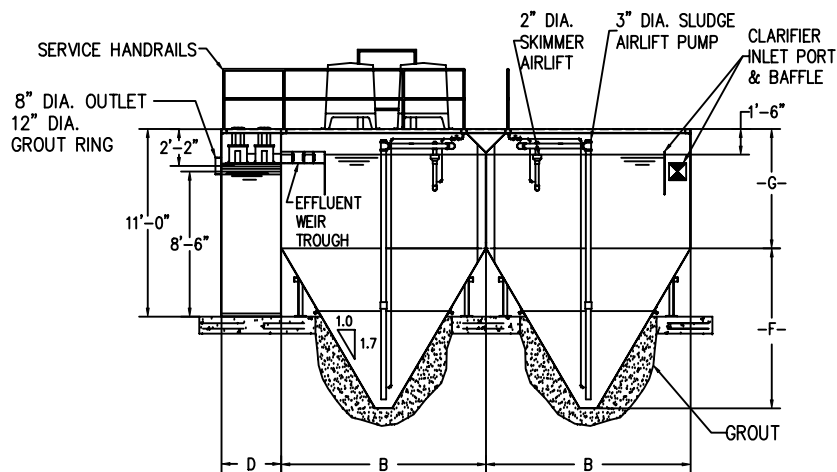
PCS Pollution Control Systems, Inc.
 5827 Happy Hollow Rd., Suite 1B
 Milford, Ohio 45150
 (513) 831-1165
 E-mail PolConSys@aol.com

PREFABRICATED PACKAGE TREATMENT PLANT

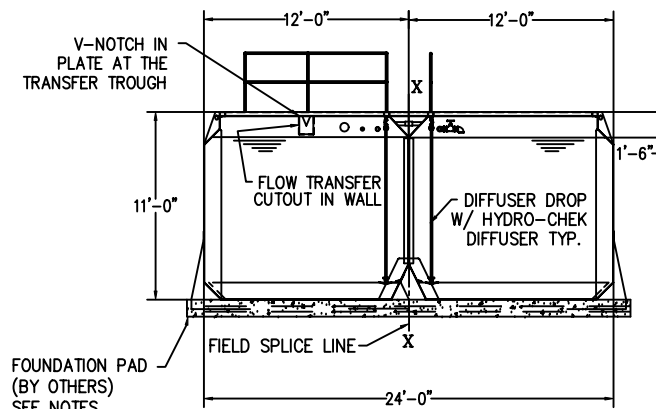
SCALE: NTS	QUOTE NO.	PROJECT NO.
DRAWN BY: JUM	DATE: 6-25-98	SHEET
CHECKED BY: JUM	DATE: 6-25-98	1 OF 2
DRAWING NO.		P09A-ESC

THIS DRAWING CONTAINS INFORMATION THAT IS PROPRIETARY TO POLLUTION CONTROL SYSTEMS AND IS NOT TO BE USED WITHOUT PERMISSION OF POLLUTION CONTROL SYSTEMS

REV.	DATE	DESCRIPTION	APPROV.



SECTION B-B



SECTION C-C

NOTES:

- 1.) ALL INTERCONNECTING PIPING OUTSIDE OF TANKS IS TO BE SUPPLIED AND INSTALLED BY THE INSTALLATION CONTRACTOR.
- 2.) FOUNDATION PAD MATERIALS AND DESIGN IS DETERMINED BY THE PROJECT ENGINEER AFTER SOIL ANALYSIS IS COMPLETED
- 3.) MATERIALS FOR ANCHORING OF TANK TO THE FOUNDATION PAD IS TO BE SUPPLIED BY OTHERS
- 4.) INCOMING ELECTRICAL POWER AND CONNECTION TO THE THE CONTROL PANEL IS BY THE ELECTRICAL CONTRACTOR.
- 5.) ENGINEER/CONTRACTOR TO VERIFY ELEVATIONS, ORIENTATION OF PIPING LOCATIONS AND CONNECTIONS AND GRADE ELEVATION.
- 6.) TANKAGE TO HAVE FIELD SPLICES ON THE X-X , Y-Y AND Z-Z AXIS AND WILL REQUIRE FIELD WELDING AT SPLICE LINES DUE TO SHIPPING LIMITATIONS. HANDRAILS, LADDERS AND FLOW DIVIDER BOX ARE ALSO FIELD MOUNTED REQUIRING FIELD WELDING.

SEE DWG. P09A-ESC FOR PLAN VIEW & SECTION VIEW A-A

REV.	DATE	DESCRIPTION	APPROV.

PCS Pollution Control Systems, Inc.
 5827 Happy Hollow Rd., Suite 1B
 Milford, Ohio 45150
 (513) 831-1165
 E-mail PolConSys@aol.com

PREFABRICATED PACKAGE TREATMENT PLANT			
SCALE:	NTS	QUOTE NO.	PROJECT NO.
DRAWN BY:	JJM	DATE:	7-6-98
CHECKED BY:	JJM	DATE:	7-6-98
SHEET	2 OF 2	DRAWING NO.	P09B-ESC

THIS DRAWING CONTAINS INFORMATION THAT IS PROPRIETARY TO POLLUTION CONTROL SYSTEMS AND IS NOT TO BE USED WITHOUT PERMISSION OF POLLUTION CONTROL SYSTEMS