

- NOTES:
- 1.) ALL EXTERNAL PIPING TO THE TANK IS TO BE SUPPLIED AND INSTALLED BY THE INSTALLATION CONTRACTOR.
 - 2.) FOUNDATION PAD MATERIALS AND DESIGN IS DETERMINED BY THE PROJECT ENGINEER AFTER SOIL ANALYSIS IS COMPLETED
 - 3.) MATERIALS FOR ANCHORING OF TANK TO THE FOUNDATION PAD IS TO BE SUPPLIED BY OTHERS
 - 4.) INCOMING ELECTRICAL POWER AND CONNECTION TO THE THE CONTROL PANEL IS BY THE ELECTRICAL CONTRACTOR.

PLANT MODEL NUMBER	DESIGN FLOW GPD	AERATION TANK VOLUME	EQUALIZATION TANK VOLUME	CLARIFIER TANK VOLUME	SLUDGE TANK VOLUME	CHLORINE CONTACT TANK-VOL.	MAIN AIR BLOWER	
							HP	CFM
OPTIONAL EQUIPMENT/ MATERIALS/ TANKAGE								
DUAL EQUALIZATION PUMPS	SCH.40 STL. DROP PIPES	DE-CHLORINATION						
FULL TANK GRATING	GALVANIZED PIPING	GAS CHLORINATION						
BAR TYPE GRATING	DUAL BLOWERS	U V DISINFECTION						
HANDRAILS/ TOEPLATES	FROTH SPRAY SYSTEM							
LADDERS/ STAIRWAYS	INLET COMMUNUTOR	REMOTE MOUNTED BLOWERS & CONTROLS						
ANCHOR BRK'TS	POST AERATION	DOSING TANK						
MAGNESIUM ANODES	EPOXY PAINT SYSTEM	TERTIARY FILTERS						

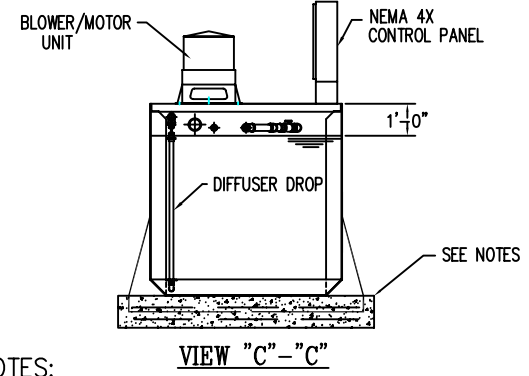
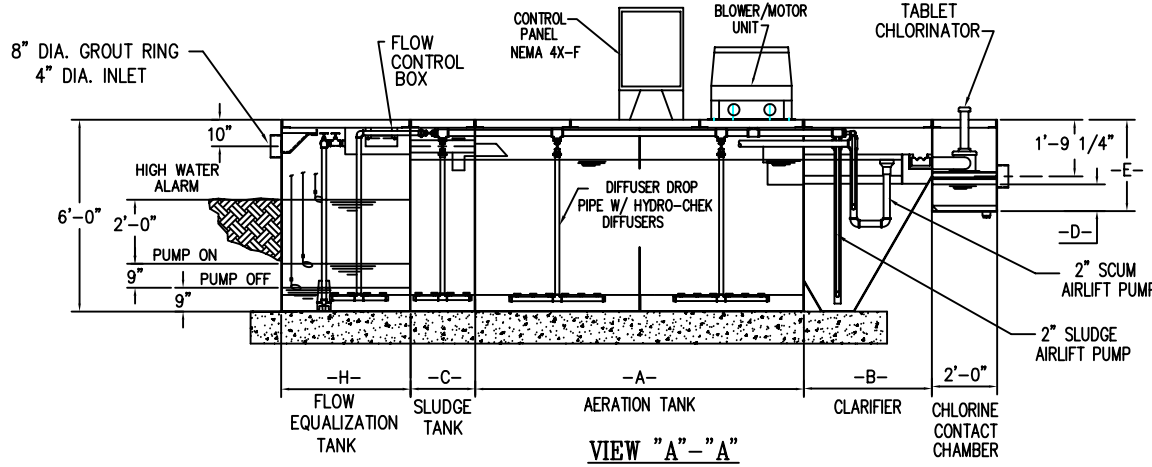
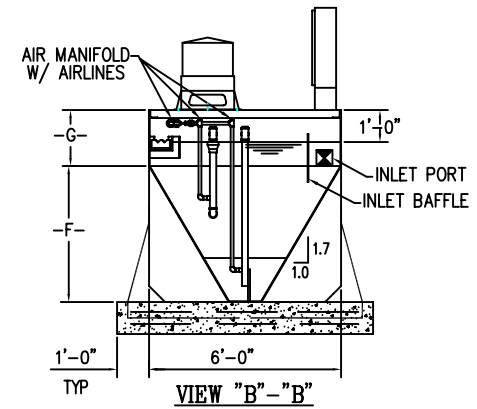
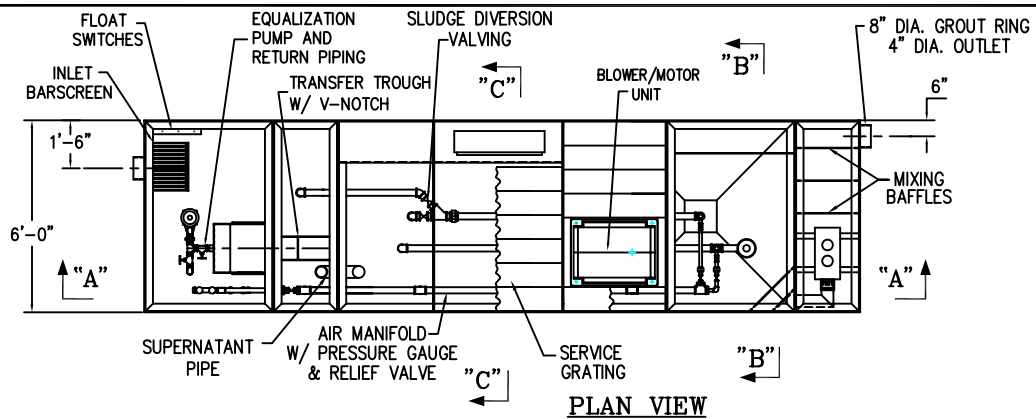
REV.	DATE	DESCRIPTION	APPROV.
10-10-14		UPDATED CHART TO ADD FLOW EQUALIZATION	
3-28-13		UPDATED BLOWER	

Pollution Control Systems, Inc.
 5827 Happy Hollow Ln, Suite 1B
 Milford, Ohio 45150
 (513) 831-1165
 E-mail PolConSys@aol.com

PREFABRICATED PACKAGE WASTEWATER PLANT

SCALE: NTS	PROJECT NO.		
DRAWN BY: JJM	DATE: 7/3/98	SHEET	DRAWING NO.
CHECKED BY: JJM	DATE: 7/6/98	1 OF 1	P01-ESC


THIS DRAWING CONTAINS INFORMATION THAT IS PROPRIETARY TO POLLUTION CONTROL SYSTEMS AND IS NOT TO BE USED WITHOUT WRITTEN PERMISSION OF POLLUTION CONTROL SYSTEMS INC.

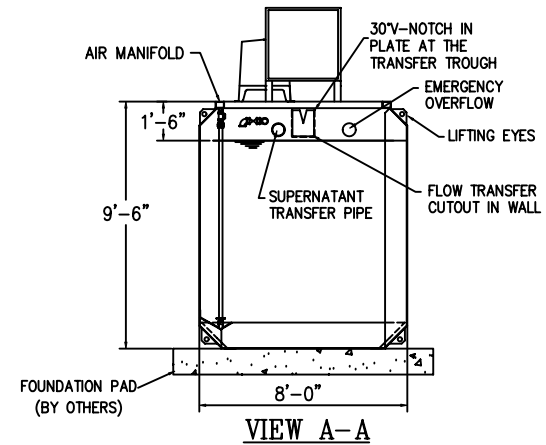
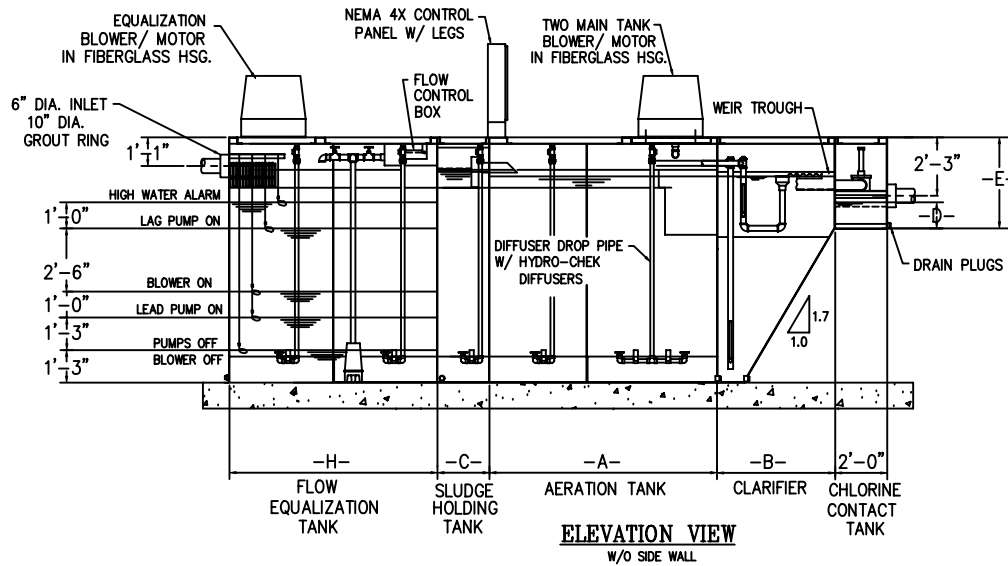
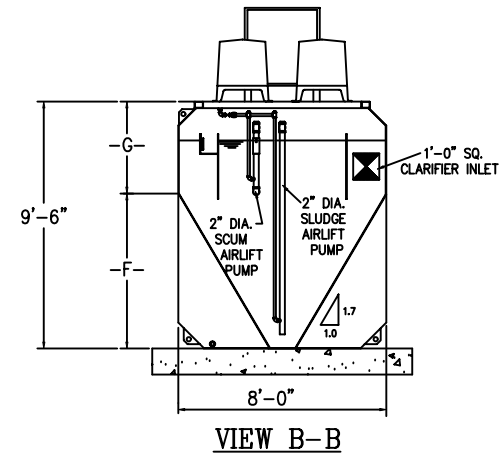
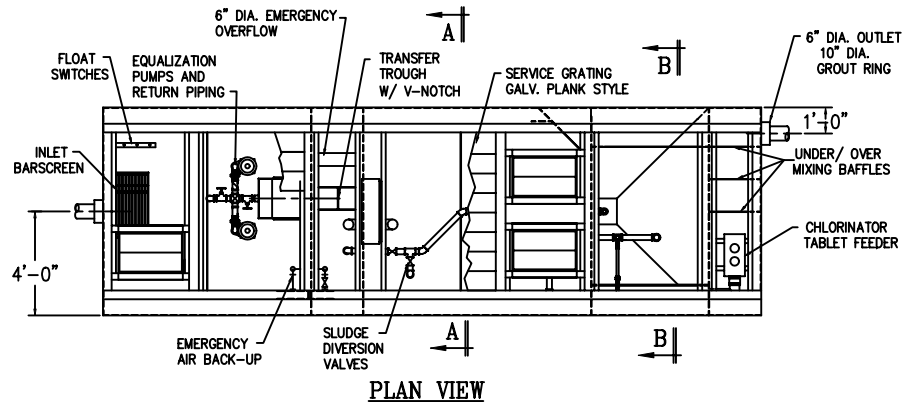


- NOTES:**
- 1.) ALL EXTERNAL PIPING TO THE TANK IS TO BE SUPPLIED AND INSTALLED BY THE INSTALLATION CONTRACTOR.
 - 2.) FOUNDATION PAD MATERIALS AND DESIGN IS DETERMINED BY THE PROJECT ENGINEER AFTER SOIL ANALYSIS IS COMPLETED
 - 3.) MATERIALS FOR ANCHORING OF TANK TO THE FOUNDATION PAD IS TO BE SUPPLIED BY OTHERS
 - 4.) INCOMING ELECTRICAL POWER AND CONNECTION TO THE CONTROL PANEL IS BY THE ELECTRICAL CONTRACTOR.

PLANT MODEL NUMBER	DESIGN FLOW GPD	AERATION TANK VOLUME	EQUALIZATION TANK VOLUME	CLARIFIER TANK VOLUME	SLUDGE TANK VOLUME	CHLORINE CONTACT TANK-VOL.	MAIN AIR BLOWER	
							HP	CFM
OPTIONAL EQUIPMENT/ MATERIALS/ TANKAGE								
DUAL EQUALIZATION PUMPS	SCH.40 STL. DROP PIPES	DE-CHLORINATION						
FULL TANK GRATING	GALVANIZED PIPING	GAS CHLORINATION						
BAR TYPE GRATING	DUAL BLOWER	U V DISINFECTION						
HANDRAILS/ TOEPLATES	FROTH SPRAY SYSTEM	REMOTE MOUNTED BLOWERS & CONTROLS						
LADDERS/ STAIRWAYS	INLET COMMUNUTOR	DOSING TANK						
ANCHOR BRK'TS	POST AERATION	TERTIARY FILTERS						
MAGNESIUM ANODES	EPOXY PAINT SYSTEM							

REV.	DATE	DESCRIPTION	APPROV.
▲	10-10-14	UPDATED CHART TO ADD FLOW EQUALIZATION	JM
▲	3-28-13	UPDATED BLOWERS	JM

 Pollution Control Systems, Inc. 5827 Happy Hollow Ln, Suite 1B Milford, Ohio 45150 (513) 831-1165 E-mail: PolConSys@aol.com	PREFABRICATED PACKAGE WASTEWATER PLANT	
	SCALE: NTS PROJECT NO.	DRAWN BY: JJM DATE:
THIS DRAWING CONTAINS INFORMATION THAT IS PROPRIETARY TO POLLUTION CONTROL SYSTEMS AND IS NOT TO BE USED WITHOUT WRITTEN PERMISSION OF POLLUTION CONTROL SYSTEMS INC.	CHECKED BY: MAC DATE:	SHEET: 1 OF 1 DRAWING NO.: P02-ESC



PLANT MODEL NUMBER	DESIGN FLOW GPD	AERATION TANK VOLUME	CLARIFIER TANK VOLUME	SLUDGE TANK VOLUME	CHLORINE CONTACT TANK-VOL.	FLOW EQ. TANK VOLUME	FLOW EQ. BLOWER		MAIN AIR BLOWER	
							HP	CFM	HP	CFM

OPTIONAL EQUIPMENT/ MATERIALS/ TANKAGE

FULL TANK GRATING	SCH.40 STL. DROP PIPES	GRINDER PUMPS	NEMA 4X PANEL
BAR TYPE GRATING	GALVANIZED PIPING	PUMP GUIDE RAILS	REMOTE MOUNTED BLOWERS & CONTROLS
HANDRAILS/ TOEPLATES	STN. STL. DIFFUSERS	EPOXY PAINT SYSTEM	DOSING TANK
LADDERS/ STAIRWAYS	FROTH SPRAY SYSTEM	DE-CHLORINATION	TERTIARY FILTERS
ANCHOR BRK'TS	COMMINUTER	GAS CHLORINATION	
MAGNESIUM ANODES	POST AERATION	U V DISINFECTION	

NOTES:

- 1.) ALL EXTERNAL PIPING TO THE TANK IS TO BE SUPPLIED AND INSTALLED BY THE INSTALLATION CONTRACTOR.
- 2.) FOUNDATION PAD MATERIALS AND DESIGN IS DETERMINED BY THE PROJECT ENGINEER AFTER SOIL ANALYSIS IS COMPLETED
- 3.) MATERIALS FOR ANCHORING OF TANK TO THE FOUNDATION PAD IS TO BE SUPPLIED BY OTHERS
- 4.) INCOMING ELECTRICAL POWER AND CONNECTION TO THE CONTROL PANEL IS BY THE ELECTRICAL CONTRACTOR.

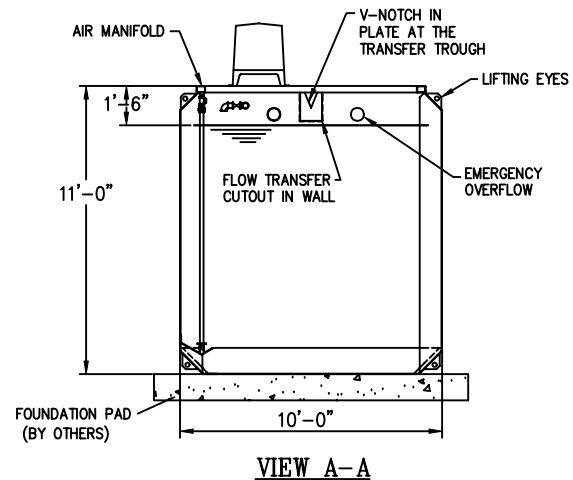
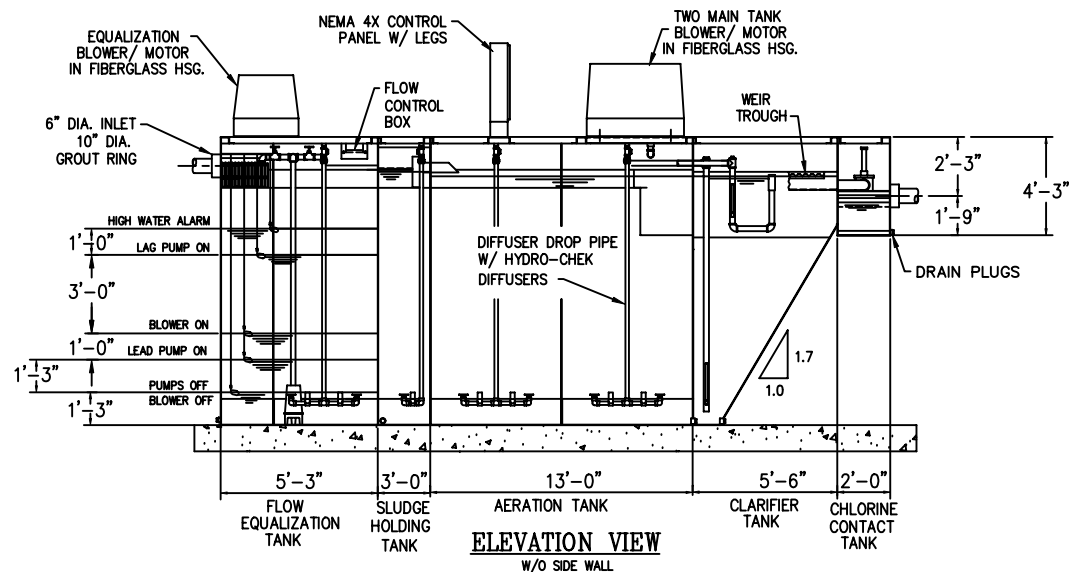
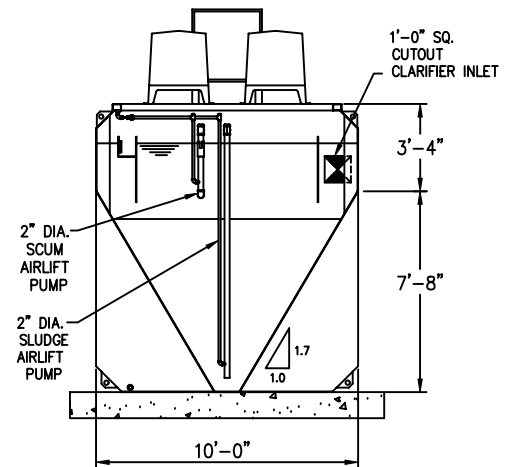
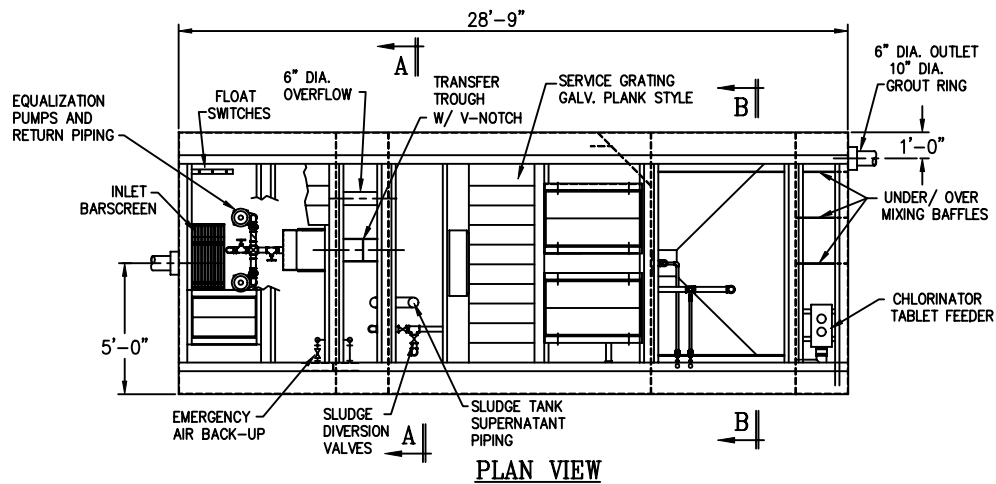
REV.	DATE	DESCRIPTION	APPROV.

PCS Pollution Control Systems, Inc.
 5827 Happy Hollow Ln, Suite 1B
 Milford, Ohio 45150
 (513) 831-1165
 E-mail: PolConSys@aol.com

THIS DRAWING CONTAINS INFORMATION THAT IS PROPRIETARY TO POLLUTION CONTROL SYSTEMS AND IS NOT TO BE USED WITHOUT WRITTEN PERMISSION OF POLLUTION CONTROL SYSTEMS INC.

PREFABRICATED PACKAGE WASTEWATER PLANT

SCALE: NTS	PROJECT NO.		
DRAWN BY: JJM	DATE: 4/3/98	SHEET	DRAWING NO.
CHECKED BY: JJM	DATE: 4/6/98	1 OF 1	P03-ESC



NOTES:

- 1.) ALL EXTERNAL PIPING TO THE TANK IS TO BE SUPPLIED AND INSTALLED BY THE INSTALLATION CONTRACTOR.
- 2.) FOUNDATION PAD MATERIALS AND DESIGN IS DETERMINED BY THE PROJECT ENGINEER AFTER SOIL ANALYSIS IS COMPLETED
- 3.) MATERIALS FOR ANCHORING OF TANK TO THE FOUNDATION PAD IS TO BE SUPPLIED BY OTHERS
- 4.) INCOMING ELECTRICAL POWER AND CONNECTION TO THE CONTROL PANEL IS BY THE ELECTRICAL CONTRACTOR.

REV.	DATE	DESCRIPTION	APPROV.

PCS Pollution Control Systems, Inc.
 5827 Happy Hollow Ln, Suite 1B
 Milford, Ohio 45150
 (513) 831-1165
 E-mail PolConSys@aol.com

PREFABRICATED PACKAGE WASTEWATER PLANT

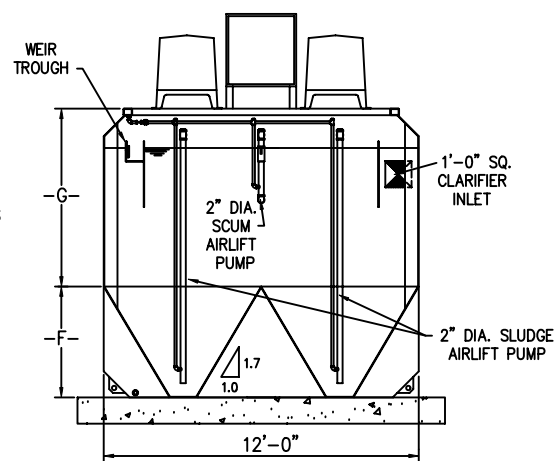
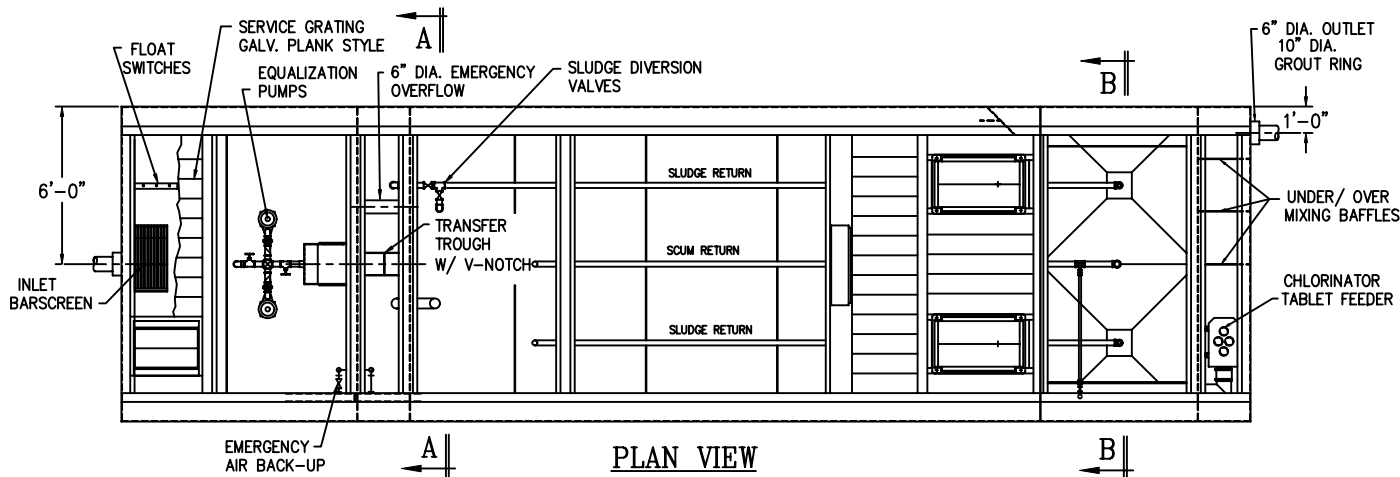
9,000 GPD PACKAGE PLANT

SCALE:	NTS	PROJECT NO.		
DRAWN BY:	JJM	DATE:	4/3/98	SHEET
CHECKED BY:	JJM	DATE:	4/3/98	DRAWING NO.
			1 OF 1	PO4-ESC

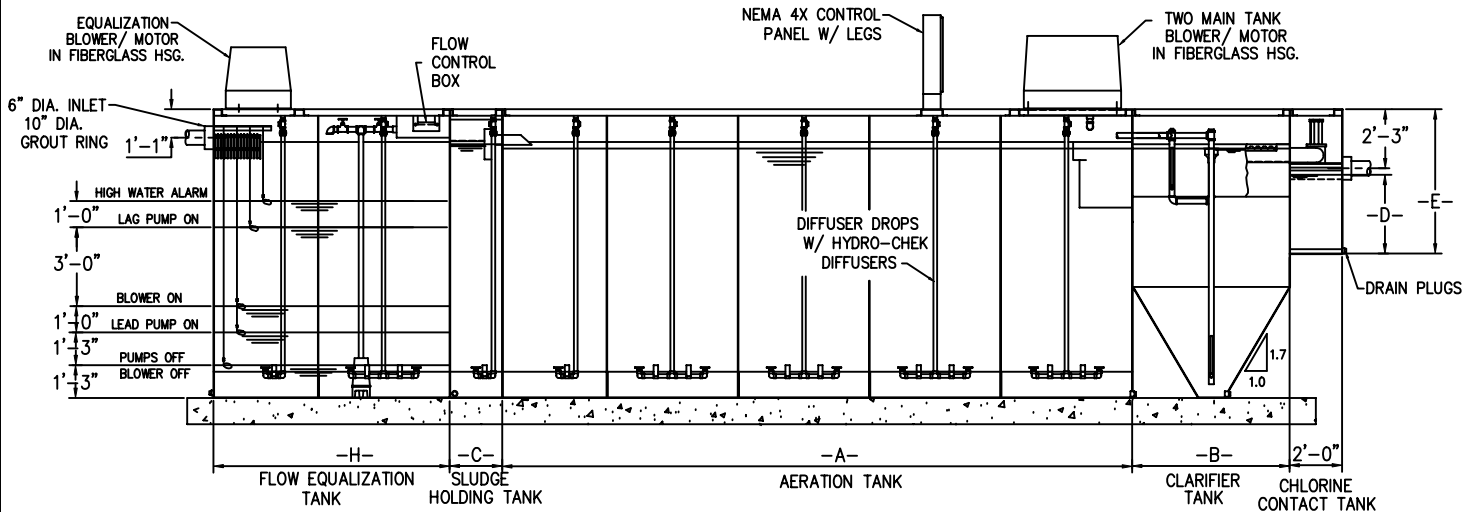
PLANT MODEL NUMBER	DESIGN FLOW GPD	AERATION TANK VOLUME	CLARIFIER TANK VOLUME	SLUDGE TANK VOLUME	CHLORINE CONTACT TANK-VOL.	FLOW EQ. TANK VOLUME	FLOW EQ. BLOWER HP	FLOW EQ. BLOWER CFM	MAIN AIR BLOWER HP	MAIN AIR BLOWER CFM
PP-9-ESC	9,000	9,100	1,535	2,100	262	3,145	1.0	20	2.0	47

OPTIONAL EQUIPMENT/ MATERIALS/ TANKAGE

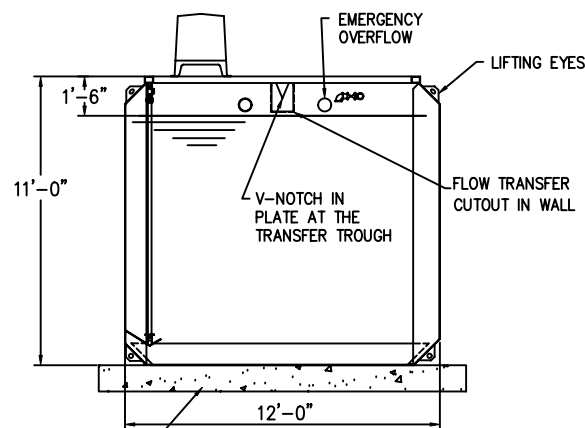
FULL TANK GRATING	SCH.40 STL. DROP PIPES	GRINDER PUMPS	NEMA 4X PANEL
BAR TYPE GRATING	GALVANIZED PIPING	PUMP GUIDE RAILS	REMOTE MOUNTED BLOWERS & CONTROLS
HANDRAILS/ TOEPLATES	STN. STL. DIFFUSERS	EPOXY PAINT SYSTEM	DOSING TANK
LADDERS/ STAIRWAYS	FROTH SPRAY SYSTEM	DE-CHLORINATION	GAS CHLORINATION
ANCHOR BRK'TS	COMMINUTER	U V DISINFECTION	TERTIARY FILTER
MAGNESIUM ANODES	POST AERATION		



VIEW B-B



ELEVATION VIEW w/o SIDE WALL



VIEW A-A

NOTES:

- 1.) ALL EXTERNAL PIPING TO THE TANK IS TO BE SUPPLIED AND INSTALLED BY THE INSTALLATION CONTRACTOR.
- 2.) FOUNDATION PAD MATERIALS AND DESIGN IS DETERMINED BY THE PROJECT ENGINEER AFTER SOIL ANALYSIS IS COMPLETED
- 3.) MATERIALS FOR ANCHORING OF TANK TO THE FOUNDATION PAD IS TO BE SUPPLIED BY OTHERS
- 4.) INCOMING ELECTRICAL POWER AND CONNECTION TO THE CONTROL PANEL IS BY THE ELECTRICAL CONTRACTOR.

PLANT MODEL NUMBER	DESIGN FLOW GPD	AERATION TANK VOLUME	CLARIFIER TANK VOLUME	SLUDGE TANK VOLUME	CHLORINE CONTACT TANK-VOL	FLOW EQ. TANK VOLUME	FLOW EQ. BLOWER		MAIN AIR BLOWER	
							HP	CFM	HP	CFM

OPTIONAL EQUIPMENT/ MATERIALS/TANKAGE

FULL TANK GRATING	SCH.40 STL. DROP PIPES	GRINDER PUMPS	NEMA 4X PANEL
BAR TYPE GRATING	GALVANIZED PIPING	PUMP GUIDE RAILS	REMOTE MOUNTED BLOWERS & CONTROLS
HANDRAILS/ TOEPLATES	STN. STL. DIFFUSERS	EPOXY PAINT SYSTEM	DOSING TANK
LADDERS/ STAIRWAYS	FROTH SPRAY SYSTEM	DE-CHLORINATION	TERTIARY FILTERS
ANCHOR BRK'TS	COMMUNUTER	GAS CHLORINATION	
MAGNESIUM ANODES	POST AERATION	U V DISINFECTION	



Pollution Control Systems, Inc.

5827 Happy Hollow Ln, Suite 1B
 Milford, Ohio 45150
 (513) 831-1165
 E-mail PolConSys@aol.com

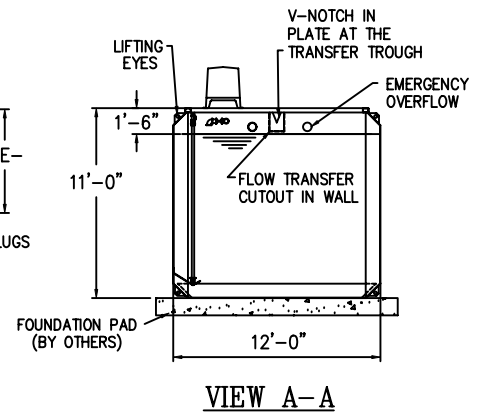
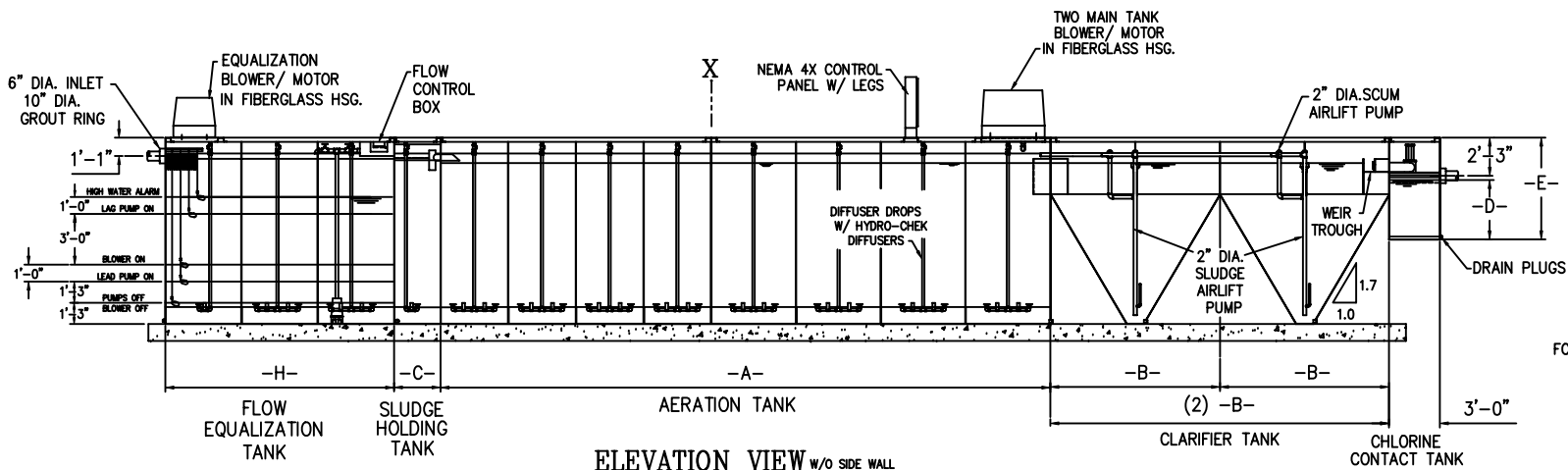
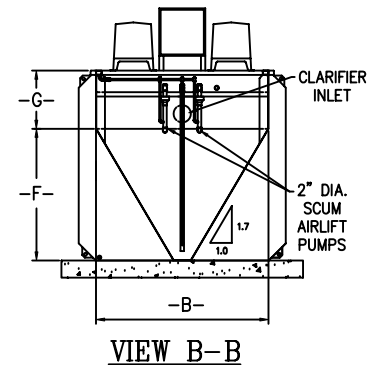
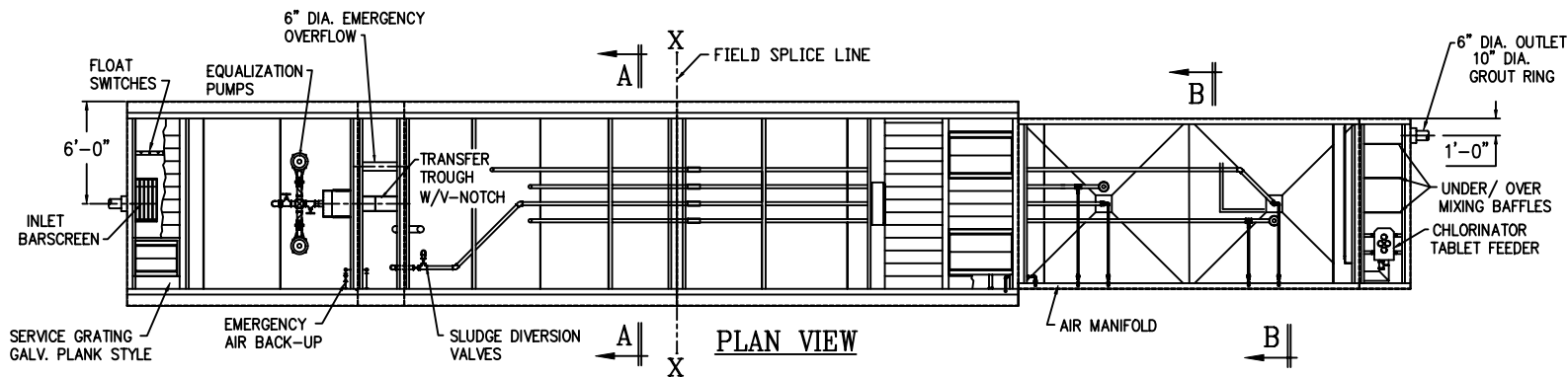
PREFABRICATED PACKAGE WASTEWATER PLANT

SCALE: NTS PROJECT NO.

DRAWN BY: JJM DATE: 4/10/98 SHEET: DRAWING NO.
 CHECKED BY: JJM DATE: 3/21/98 1 OF 1 P06-ESC

THIS DRAWING CONTAINS INFORMATION THAT IS PROPRIETARY TO POLLUTION CONTROL SYSTEMS AND IS NOT TO BE USED WITHOUT WRITTEN PERMISSION OF POLLUTION CONTROL SYSTEMS INC.

REV.	DATE	DESCRIPTION	APPROV.



NOTES:

- 1.) ALL EXTERNAL PIPING TO THE TANK IS TO BE SUPPLIED AND INSTALLED BY THE INSTALLATION CONTRACTOR.
- 2.) FOUNDATION PAD MATERIALS AND DESIGN IS DETERMINED BY THE PROJECT ENGINEER AFTER SOIL ANALYSIS IS COMPLETED
- 3.) MATERIALS FOR ANCHORING OF TANK TO THE FOUNDATION PAD IS TO BE SUPPLIED BY OTHERS
- 4.) INCOMING ELECTRICAL POWER AND CONNECTION TO THE CONTROL PANEL IS BY THE ELECTRICAL CONTRACTOR.
- 5.) DUE TO SHIPPING LENGTH LIMITATIONS TANK LENGTH MUST BE FIELD SPLICED AT THE X-X AXIS AND RECONNECTED IN THE FIELD BY WATERTIGHT WELDING. NO SPLICE REQUIRED ON PP-23-ESC AND BELOW

REV.	DATE	ADDED NOTE #5 AND SPLICE MARK DESCRIPTION	JJM
	12/7/05		APP.

PCS Pollution Control Systems, Inc.
 5827 Happy Hollow Ln, Suite 1B
 Milford, Ohio 45150
 (513) 831-1165
 E-mail: PolConSys@aol.com

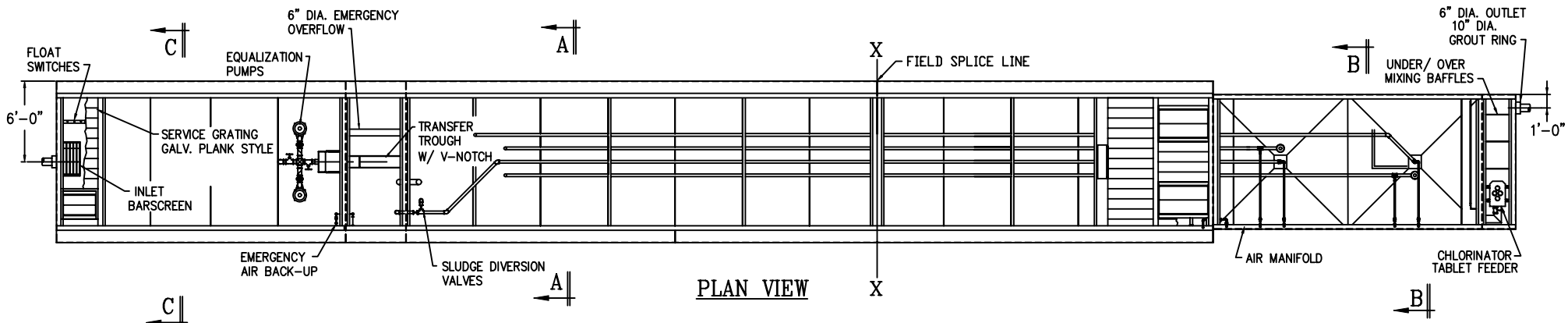
THIS DRAWING CONTAINS INFORMATION THAT IS PROPRIETARY TO POLLUTION CONTROL SYSTEMS AND IS NOT TO BE USED WITHOUT WRITTEN PERMISSION OF POLLUTION CONTROL SYSTEMS, INC.

PREFABRICATED PACKAGE WASTEWATER PLANT			
SCALE: NTS	PROJECT NO.		
DRAWN BY: JJM	DATE: 6/18/98	SHEET	DRAWING NO.
CHECKED BY: JJM	DATE: 6/21/98	1 OF 1	P07-ESC

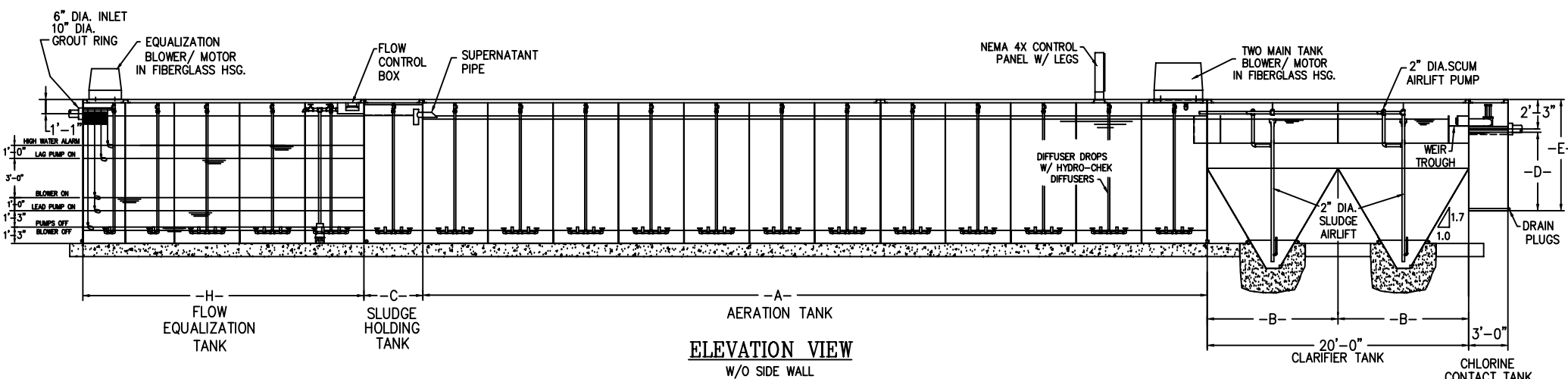
PLANT MODEL NUMBER	DESIGN FLOW GPD	AERATION TANK VOLUME	CLARIFIER TANK VOLUME	SLUDGE TANK VOLUME	CHLORINE CONTACT TANK-VOL	FLOW EQ. TANK		FLOW EQ. BLOWER		MAIN AIR BLOWER	
						VOLUME	VOLUME	HP	CFM	HP	CFM

OPTIONAL EQUIPMENT/ MATERIALS/TANKAGE

FULL TANK GRATING	ANCHOR BRK'TS	COMMINUTER	U V DISINFECTION
BAR TYPE GRATING	MAGNESIUM ANODES	GRINDER PUMPS	
WELDED HANDRAILS	SCH.40 STL. DROP PIPES	PUMP GUIDE RAILS	NEMA 4X PANEL
BOLTED HANDRAILS	GALVANIZED PIPING	EPOXY PAINT SYSTEM	REMOTE MOUNTED BLOWERS & CONTROLS
HANDRAIL TOEPLATES	STN. STL. DIFFUSERS	DE-CHLORINATION	DOSING TANK
LADDERS/ STAIRWAYS	FROTH SPRAY SYSTEM	GAS CHLORINATION	TERTIARY FILTERS



PLAN VIEW



ELEVATION VIEW
W/O SIDE WALL

SEE DWG. P08B-ESC FOR SECTION VIEWS

NOTES:

- 1.) ALL EXTERNAL PIPING TO THE TANK IS TO BE SUPPLIED AND INSTALLED BY THE INSTALLATION CONTRACTOR.
- 2.) FOUNDATION PAD MATERIALS AND DESIGN IS DETERMINED BY THE PROJECT ENGINEER AFTER SOIL ANALYSIS IS COMPLETED
- 3.) MATERIALS FOR ANCHORING OF TANK TO THE FOUNDATION PAD IS TO BE SUPPLIED BY OTHERS
- 4.) INCOMING ELECTRICAL POWER (AND CONNECTION TO THE CONTROL PANEL IS BY THE ELECTRICAL CONTRACTOR.
- 5.) AERATION TANK MUST HAVE A FIELD SPLICE ON THE X-X AXIS AND WILL REQUIRE FIELD WELDING DUE TO SHIPPING LIMITATIONS. ANY HANDRAILS, LADDERS OR EQUIPMENT MOUNTED ON TOP OF THE TANK MUST SHIP LOOSE FOR FIELD INSTALLATION.

PCS Pollution Control Systems, Inc.
 5827 Happy Hollow Ln, Suite 1B
 Milford, Ohio 45150
 (513) 831-1165
 E-mail PolConSys@aol.com

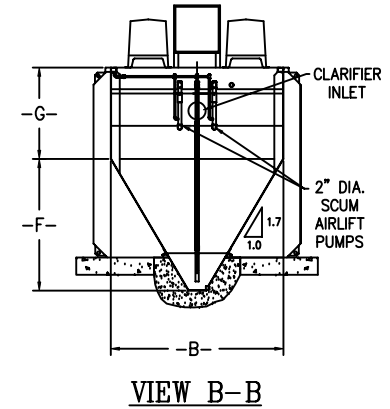
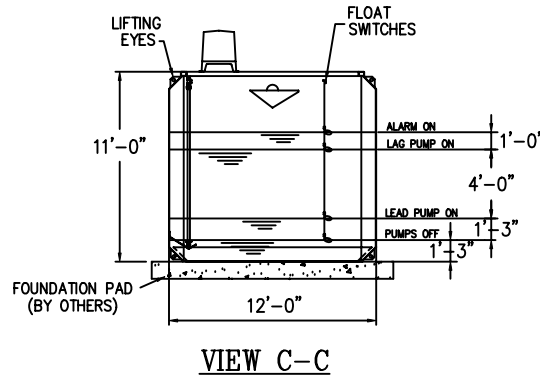
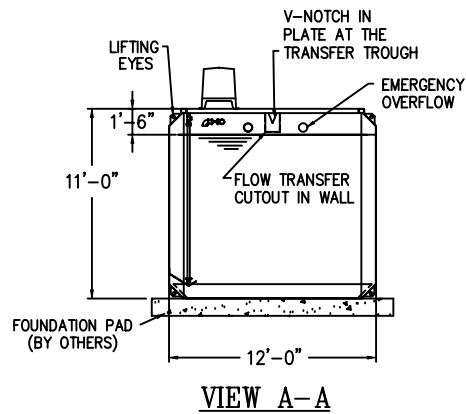
THIS DRAWING CONTAINS INFORMATION THAT IS PROPRIETARY TO POLLUTION CONTROL SYSTEMS AND IS NOT TO BE USED WITHOUT WRITTEN PERMISSION OF POLLUTION CONTROL SYSTEMS INC.

PREFABRICATED PACKAGE WASTEWATER PLANT			
SCALE: NTS	PROJECT NO.		
DRAWN BY: JUM	DATE: 6/30/98	SHEET	DRAWING NO.
CHECKED BY: JUM	DATE: 7/1/98	1 OF 2	P08A-ESC

PLANT MODEL NUMBER	DESIGN FLOW GPD	AERATION TANK VOLUME	CLARIFIER TANK VOLUME	SLUDGE TANK VOLUME	CHLORINE CONTACT TANK-VOL.	FLOW EQ. TANK VOLUME	FLOW EQ. BLOWER		MAIN AIR BLOWER	
							HP	CFM	HP	CFM

OPTIONAL EQUIPMENT/ MATERIALS/TANKAGE			
FULL TANK GRATING	ANCHOR BRK'TS	COMMINUTER	U V DISINFECTION
BAR TYPE GRATING	MAGNESIUM ANODES	GRINDER PUMPS	NEMA 4X PANEL
WELDED HANDRAILS	SCH.40 STL. DROP PIPES	PUMP GUIDE RAILS	REMOTE MOUNTED BLOWERS & CONTROLS
BOLTED HANDRAILS	GALVANIZED PIPING	EPOXY PAINT SYSTEM	DOSING TANK
HANDRAIL TOEPLATES	STN. STL. DIFFUSERS	DE-CHLORINATION	TERTIARY FILTERS
LADDERS/ STAIRWAYS	FROTH SPRAY SYSTEM	GAS CHLORINATION	

REV.	DATE	DESCRIPTION	APPROV.




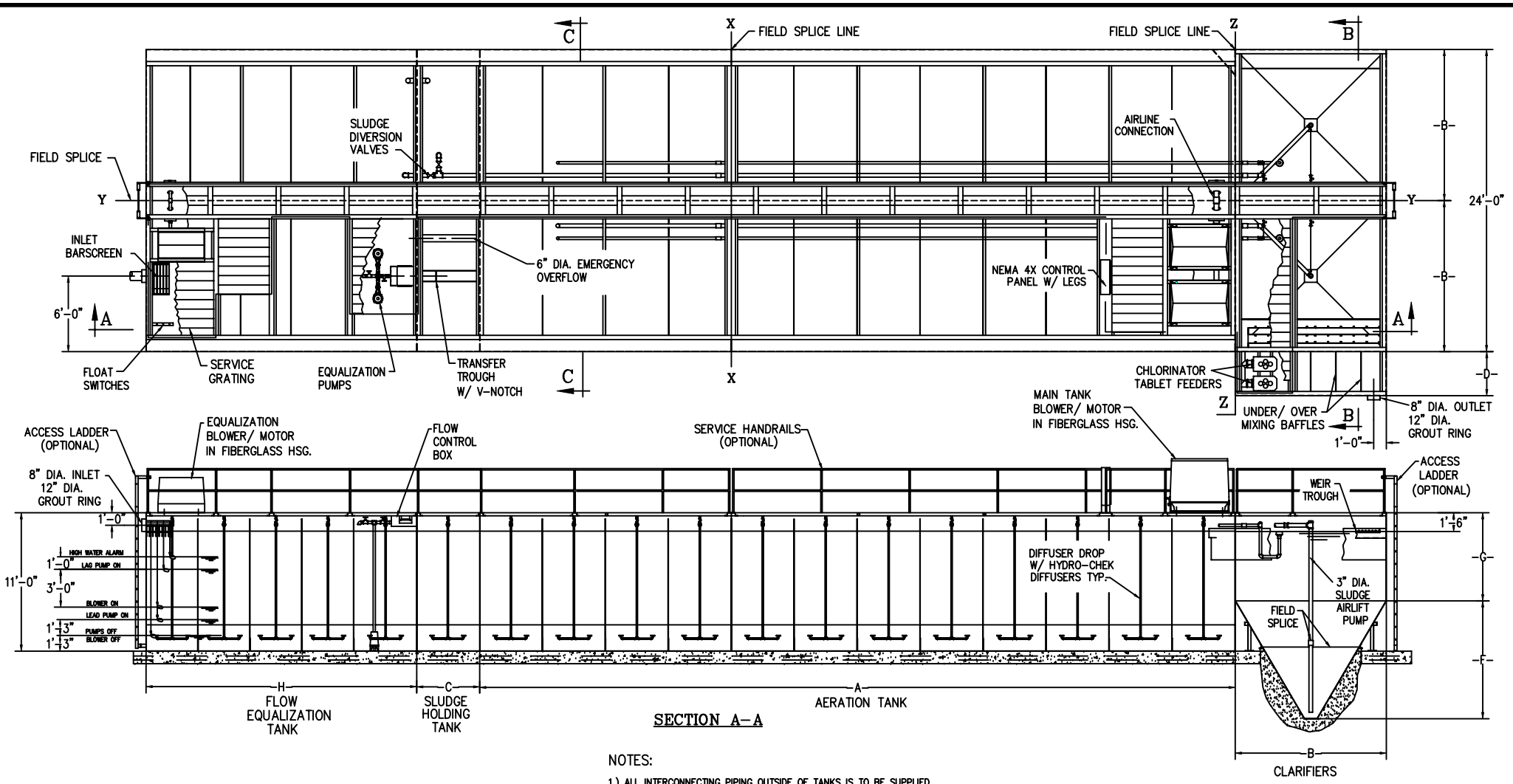
SEE DWG. P08A-ESC FOR PLAN AND ELEVATION VIEW.

NOTES:

- 1.) ALL EXTERNAL PIPING TO THE TANK IS TO BE SUPPLIED AND INSTALLED BY THE INSTALLATION CONTRACTOR.
- 2.) FOUNDATION PAD MATERIALS AND DESIGN IS DETERMINED BY THE PROJECT ENGINEER AFTER SOIL ANALYSIS IS COMPLETED
- 3.) MATERIALS FOR ANCHORING OF TANK TO THE FOUNDATION PAD IS TO BE SUPPLIED BY OTHERS
- 4.) INCOMING ELECTRICAL POWER IAND CONNECTION TO THE THE CONTROL PANEL IS BY THE ELECTRICAL CONTRACTOR.

REV.	DATE	DESCRIPTION	APPROV.

 Pollution Control Systems, Inc. 5827 Happy Hollow Ln, Suite 1B Milford, Ohio 45150 (513) 831-1165 E-mail PolConSys @ aol.com	PREFABRICATED PACKAGE WASTEWATER PLANT			
	SCALE: NTS	PROJECT NO.		
THIS DRAWING CONTAINS INFORMATION THAT IS PROPRIETARY TO POLLUTION CONTROL SYSTEMS AND IS NOT TO BE USED WITHOUT WRITTEN PERMISSION OF POLLUTION CONTROL SYSTEMS INC.	DRAWN BY: JJM	DATE: 6/30/98	SHEET	DRAWING NO.
	CHECKED BY: JJM	DATE: 7/1/98	2 OF 2	P08B-ESC



SECTION A-A

NOTES:

- 1.) ALL INTERCONNECTING PIPING OUTSIDE OF TANKS IS TO BE SUPPLIED AND INSTALLED BY THE INSTALLATION CONTRACTOR.
- 2.) FOUNDATION PAD MATERIALS AND DESIGN IS DETERMINED BY THE PROJECT ENGINEER AFTER SOIL ANALYSIS IS COMPLETED
- 3.) MATERIALS FOR ANCHORING OF TANK TO THE FOUNDATION PAD IS TO BE SUPPLIED BY OTHERS
- 4.) INCOMING ELECTRICAL POWER AND CONNECTION TO THE CONTROL PANEL IS BY THE ELECTRICAL CONTRACTOR.
- 5.) ENGINEER/CONTRACTOR TO VERIFY ELEVATIONS, ORIENTATION OF PIPING LOCATIONS AND CONNECTIONS AND GRADE ELEVATION.
- 6.) TANKS TO HAVE FIELD SPLICES ON THE X-X AND Y-Y AXIS AND REQUIRE FIELD WELDING DUE TO SHIPPING LIMITATIONS. THE HANDRAILS, LADDERS, BLOWERS & CONTROL PANEL ARE ALSO FIELD MOUNTED AND REQUIRE FIELD ASSEMBLY BY BOLTING OR WELDING.

SEE DWG. P09B-ESC FOR SECTION VIEWS B-B & C-C

PLANT MODEL NUMBER	DESIGN FLOW GPD	AERATION TANK VOLUME	CLARIFIER TANK VOLUME	SLUDGE TANK VOLUME	CHLORINE CONTACT TANK-VOL.	FLOW EQ. TANK VOLUME	FLOW EQ. BLOWER HP	CFM	MAIN AIR BLOWER HP	CFM

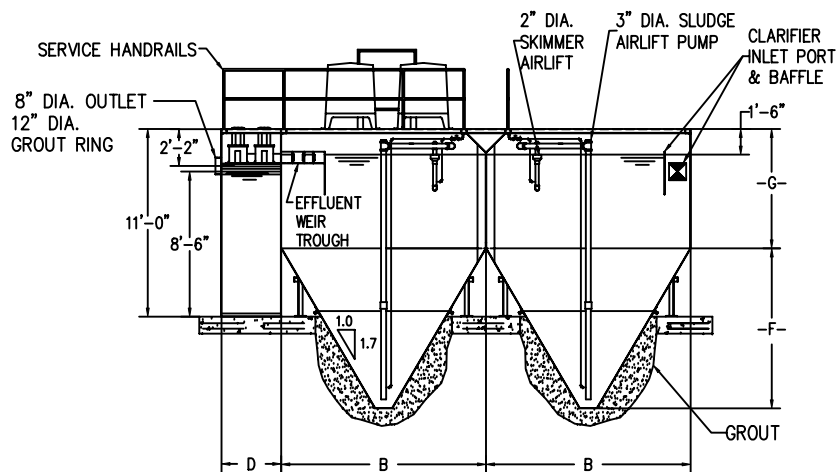
OPTIONAL EQUIPMENT/ MATERIALS/TANKAGE

FULL TANK GRATING	ANCHOR BRK'TS	COMMUNITER	U V DISINFECTION
BAR TYPE GRATING	MAGNESIUM ANODES	GRINDER PUMPS	NEMA 4X PANEL
WELDED HANDRAILS	SCH.40 STL. DROP PIPES	PUMP GUIDE RAILS	REMOTE MOUNTED BLOWERS & CONTROLS
BOLTED HANDRAILS	GALVANIZED PIPING	EPOXY PAINT SYSTEM	DOSING TANK
HANDRAIL TOEPLATES	STN. STL. DIFFUSERS	DE-CHLORINATION	TERTIARY FILTERS
LADDERS/ STAIRWAYS	FROTH SPRAY SYSTEM	GAS CHLORINATION	

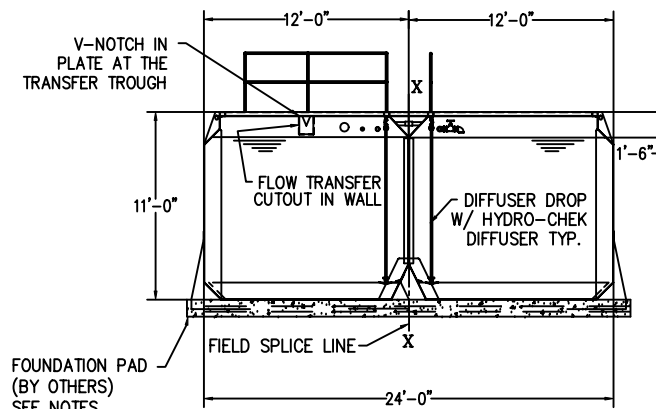
PCS Pollution Control Systems, Inc.
 5827 Happy Hollow Rd., Suite 1B
 Milford, Ohio 45150
 (513) 831-1165
 E-mail PolConSys@aol.com

THIS DRAWING CONTAINS INFORMATION THAT IS PROPRIETARY TO POLLUTION CONTROL SYSTEMS AND IS NOT TO BE USED WITHOUT PERMISSION OF POLLUTION CONTROL SYSTEMS

PREFABRICATED PACKAGE TREATMENT PLANT			
SCALE:	NTS	QUOTE NO.	PROJECT NO.
DRAWN BY:	JJM	DATE: 6-25-98	SHEET DRAWING NO.
CHECKED BY:	JJM	DATE: 6-25-98	1 OF 2 P09A-ESC



SECTION B-B



SECTION C-C

NOTES:

- 1.) ALL INTERCONNECTING PIPING OUTSIDE OF TANKS IS TO BE SUPPLIED AND INSTALLED BY THE INSTALLATION CONTRACTOR.
- 2.) FOUNDATION PAD MATERIALS AND DESIGN IS DETERMINED BY THE PROJECT ENGINEER AFTER SOIL ANALYSIS IS COMPLETED
- 3.) MATERIALS FOR ANCHORING OF TANK TO THE FOUNDATION PAD IS TO BE SUPPLIED BY OTHERS
- 4.) INCOMING ELECTRICAL POWER AND CONNECTION TO THE THE CONTROL PANEL IS BY THE ELECTRICAL CONTRACTOR.
- 5.) ENGINEER/CONTRACTOR TO VERIFY ELEVATIONS, ORIENTATION OF PIPING LOCATIONS AND CONNECTIONS AND GRADE ELEVATION.
- 6.) TANKAGE TO HAVE FIELD SPLICES ON THE X-X , Y-Y AND Z-Z AXIS AND WILL REQUIRE FIELD WELDING AT SPLICE LINES DUE TO SHIPPING LIMITATIONS. HANDRAILS, LADDERS AND FLOW DIVIDER BOX ARE ALSO FIELD MOUNTED REQUIRING FIELD WELDING.

SEE DWG. P09A-ESC FOR PLAN VIEW & SECTION VIEW A-A

REV.	DATE	DESCRIPTION	APPROV.

PCS Pollution Control Systems, Inc.
 5827 Happy Hollow Rd., Suite 1B
 Milford, Ohio 45150
 (513) 831-1165
 E-mail PolConSys@aol.com

PREFABRICATED PACKAGE TREATMENT PLANT			
SCALE:	NTS	QUOTE NO.	PROJECT NO.
DRAWN BY:	JJM	DATE: 7-6-98	SHEET DRAWING NO.
CHECKED BY:	JJM	DATE: 7-6-98	2 OF 2 P09B-ESC

THIS DRAWING CONTAINS INFORMATION THAT IS PROPRIETARY TO POLLUTION CONTROL SYSTEMS AND IS NOT TO BE USED WITHOUT PERMISSION OF POLLUTION CONTROL SYSTEMS