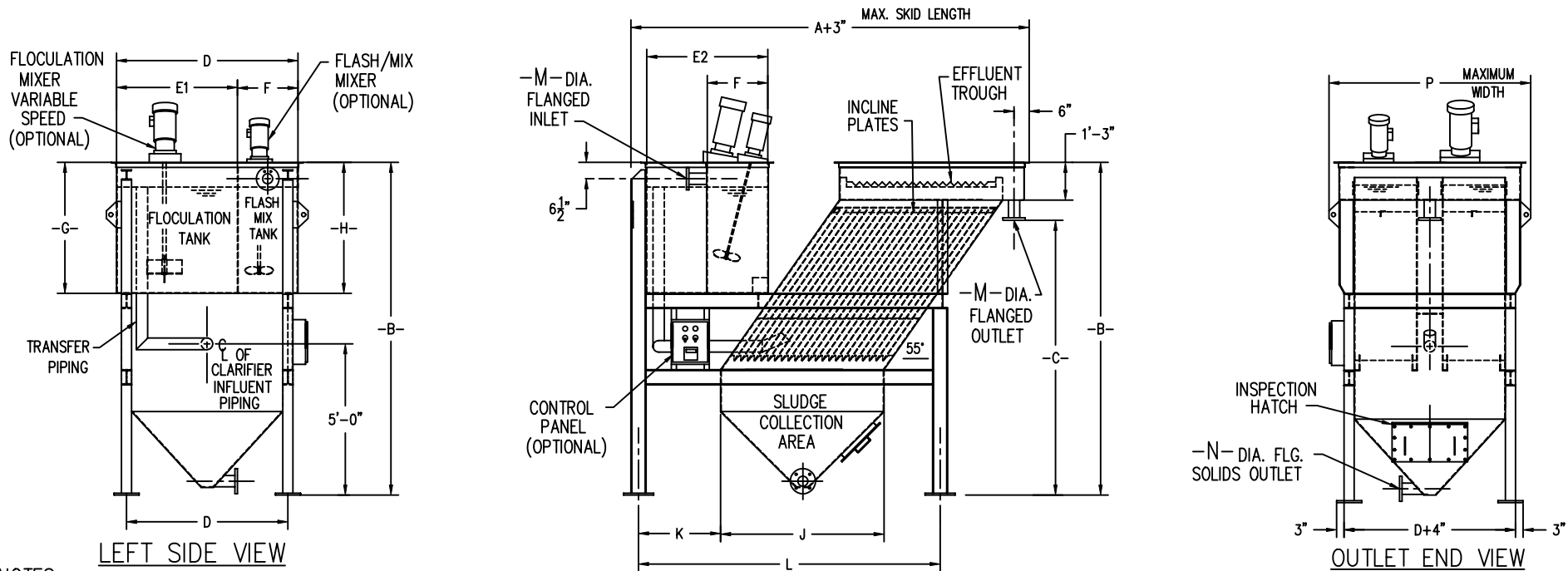


MODEL NUMBER	SETTLING AREA	PLATE QUANTITY AND PLATE SIZE	DESIGN FLOW GPM* MAX.	FLASH MIX TANK VOLUME-GAL. **	FLOCCULATION TANK VOLUME-GAL.***	-A-	-B-	-C-	-D-	-E1-	-E2-	-F-	-G-	-H-	-J-	-K-	-L-	-M-	-N-	-P-	
PPC-30-FMF	30 ² FT.	(14) 1' x 4'	4.5 GPM	20.0 GAL.	50 GAL.	6'-0"	7'-10"	6'-1"	3'-0"	1'-9"	2'-0"	1'-3"	2'-10"	3'-4"	1'-9 1/2"	2"	3'-4 1/2"	2"	2"	4'-8"	
PPC-60-FMF	60 ² FT.	(28) 1' x 4'	9.0 GPM	30.0 GAL.	100 GAL.	9'-0"	7'-10"	5'-11"	3'-0"	1'-9"	3'-0"	1'-3"	3'-4"	3'-4"	4'-11 3/4"	1'-6"	6'-3"	2"	2"	4'-8"	
PPC-90-FMF	90 ² FT.	(40) 1' x 4'	13.5 GPM	30.0 GAL.	125 GAL.	10'-2"	9'-7"	7'-8"	3'-0"	1'-9"	1'-3"	1'-3"	3'-4"	3'-4"	4'-4 1/2"	6 5/8"	7'-4 1/2"	3"	3"	4'-8"	
PPC-120-FMF	120 ² FT.	(28) 2' x 4'	18.0 GPM	40.0 GAL.	175 GAL.	9'-4"	9'-7"	7'-8"	5'-4"	3'-3"	3'-0"	1'-6"	3'-4"	3'-4"	3'-4 3/4"	1'-3 5/8"	6'-9 1/2"	3"	3"	6'-8"	
PPC-180-FMF	180 ² FT.	(40) 2' x 4'	27.0 GPM	60.0 GAL.	250 GAL.	11'-9"	11'-0"	9'-1"	5'-4"	3'-3"	3'-3"	1'-6"	4'-4"	4'-4"	4'-8 1/2"	1'-11"	8'-6"	4"	4"	6'-8"	
PPC-240-FMF	240 ² FT.	(36) 2' x 6'	36.0 GPM	80.0 GAL.	325 GAL.	11'-6"	11'-0"	9'-1"	5'-4"	3'-6"	3'-6"	1'-9"	4'-4"	4'-4"	4'-3 1/2"	2'-2"	8'-4"	4"	4"	6'-8"	
PPC-300-FMF	300 ² FT.	(46) 2' x 6'	45.0 GPM	100 GAL.	420 GAL.	13'-4"	11'-0"	9'-1"	5'-4"	4'-0"	4'-0"	2'-0"	4'-4"	4'-4"	4'-4"	5'-5"	2'-9"	10'-0"	4"	4"	6'-8"
PPC-360-FMF	360 ² FT.	(54) 2' x 6'	54.0 GPM	120 GAL.	500 GAL.	14'-6"	11'-0"	9'-1"	6'-0"	4'-0"	4'-0"	2'-0"	5'-0"	5'-0"	6'-3 1/2"	3'-2"	10'-10"	6"	6"	6'-8"	

* BASED ON 0.15 GAL FT² HYDRAULIC LOADING HIGHER FLOWS REQUIRE BENCH SCALE TESTING
 ** 1-2 MIN. RETENTION @ DESIGN FLOW
 *** 8-10 MIN. RETENTION @ DESIGN FLOW



NOTES:

- 1.) DUE TO SHIPPING HEIGHT RESTRICTIONS ANY MIXERS, HANDRAILS AND LADDER IF EQUIPPED ON TOP OF TANK ARE TO BE SHIPPED LOOSE FOR FIELD INSTALLATION
- 2.) CUSTOMER TO SPECIFY INLET, OUTLET AND SLUDGE CONNECTION SIZES AND LOCATIONS IF OTHER THAN SHOWN.
- 3.) CLARIFIER INSTALLATION SITE TO ALLOW ADDITIONAL HEADROOM ABOVE TANK FOR PLATE REMOVAL AND INSTALLATION

- 4.) CLARIFIER CAN BE SUPPLIED AS A STAND ALONE UNIT WITHOUT THE FMF TANKS
- 5.) STANDARD PLATES POLYPROPYLENE, MAX. TEMP. 110° F.

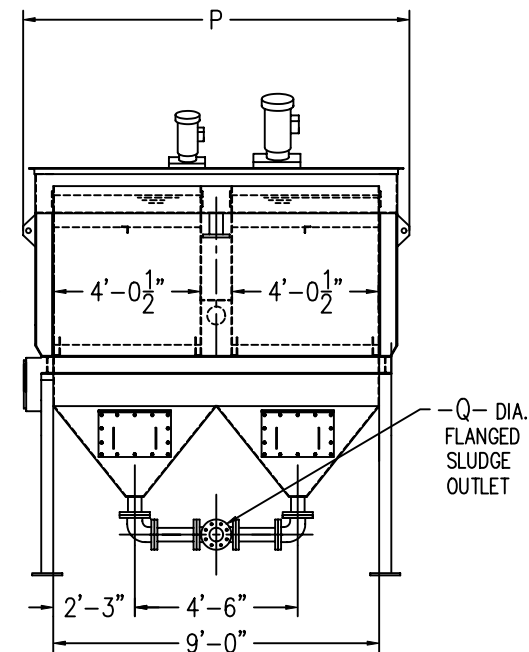
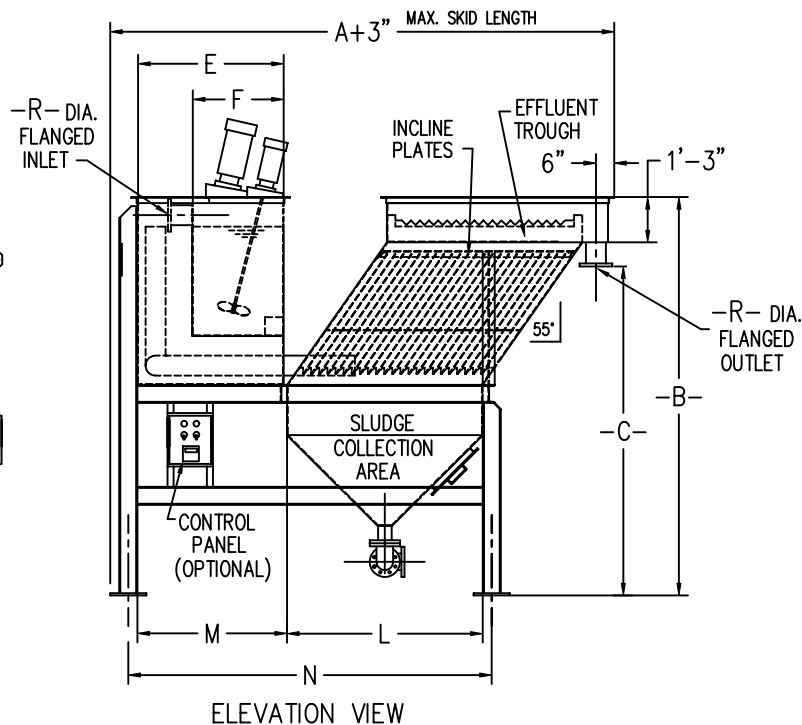
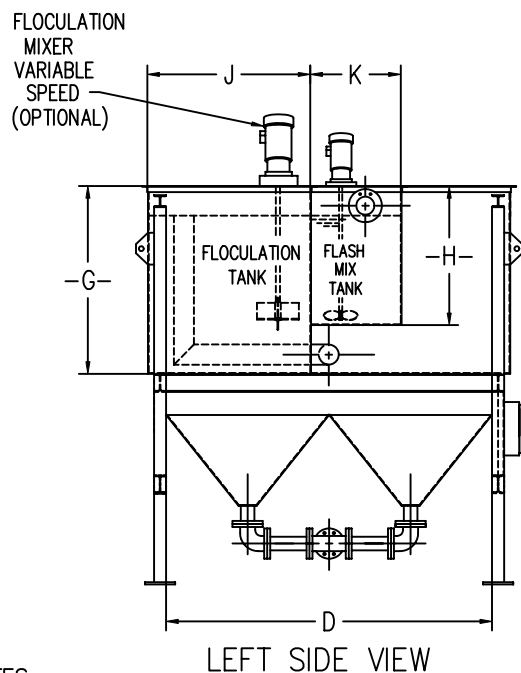
REV.	DATE	DESCRIPTION	APPROV.
1	1/10/05	CHGD MAX DESIGN FLOW FROM .25 GAL SQ. FT TO .15 GAL SQ. FT	JJM
2	10/10/01	ADDED NOTES FOR HYD. DESIGN DATA ON SIZES FOR CHARTS	JJM

PCS Pollution Control Systems, Inc.
 5827 Happy Hollow Rd., Suite 1B
 Milford, Ohio 45150
 (513) 831-1165
 E-mail PolConSys@aol.com

PARALLEL PL. CLARIFIER W/ FLASH MIX-FLOCCULATION TANK			
30 - 360 SQ. FT. PARALLEL PLATE CLARIFIER			
SCALE: NTS	QUOTE NO.	PROJECT NO.	
DRAWN BY: JJM	DATE: 10/12/00	SHEET	DRAWING NO.
CHECKED BY: JJM	DATE: 10/17/00	1 OF 1	PPC-01-FMF

MODEL NUMBER	SETTLING AREA	PLATE QUANTITY AND PLATE SIZE	DESIGN FLOW GPM/ SQ. FT.*	FLASH MIX TANK VOLUME--**GAL.	FLOCCULATION TANK VOLUME--***GAL.	-A-	-B-	-C-	-D-	-E-	-F-	-G-	-H-	-J-	-K-	-L-	-M-	-N-	-P-	-Q-	-R-
PPC-420-FMF	420 ² FT.	(46) 4' x 4'	63 GPM.	130 GAL.	580 GAL.	13'-8"	11'-0"	9'-0"	9'-0"	4'-0"	2'-6"	5'-2"	3'-10"	4'-6"	2'-6"	5'-5"	4'-1 1/2"	10'-0 1/2"	10'-8"	4"	6"
PPC-480-FMF	480 ² FT.	(36) 6' x 4'	72 GPM.	168 GAL.	660 GAL.	13'-8"	11'-0"	9'-0"	9'-0"	4'-6"	3'-0"	5'-2"	3'-10"	4'-6"	3'-0"	4'-3 1/4"	3'-9 1/2"	9'-8 1/2"	10'-8"	6"	6"
PPC-580-FMF	580 ² FT.	(44) 6' x 4'	87 GPM.	200 GAL.	810 GAL.	15'-2"	11'-0"	9'-0"	9'-0"	5'-0"	3'-0"	5'-2"	3'-10"	5'-0"	3'-0"	5'-1 1/2"	4'-5"	11'-2 1/2"	10'-8"	6"	6"
PPC-680-FMF	680 ² FT.	(52) 6' x 4'	102 GPM.	211 GAL.	910 GAL.	17'-1"	11'-0"	9'-0"	9'-0"	5'-0"	3'-0"	6'-2"	4'-0"	5'-0"	3'-0"	6'-0 3/8"	5'-8 1/4"	13'-2 1/2"	10'-8"	6"	6"
PPC-780-FMF	780 ² FT.	(60) 6' x 4'	117 GPM.	248 GAL.	1097 GAL.	18'-6"	11'-0"	9'-0"	9'-0"	5'-6"	3'-6"	6'-2"	4'-0"	5'-0"	3'-0"	6'-11"	5'-11 1/4"	14'-8 1/2"	10'-8"	6"	8"
PPC-900-FMF	900 ² FT.	(68) 6' x 4'	135 GPM.	284 GAL.	1196 GAL.	19'-10"	11'-0"	9'-0"	9'-0"	6'-0"	4'-0"	6'-2"	4'-0"	5'-0"	3'-0"	7'-9 3/4"	5'-11 1/4"	15'-2 1/2"	10'-8"	6"	8"

* BASED ON 0.15 GAL FT² HYDRAULIC LOADING ** 1-2 MIN. RETENTION *** 8-10 MIN. RETENTION
 HIGHER FLOWS REQUIRE BENCH SCALE TESTING Ⓞ DESIGN FLOW Ⓞ DESIGN FLOW



NOTES:

- 1.) DUE TO SHIPPING HEIGHT RESTRICTIONS ANY MIXERS, HANDRAILS AND LADDER IF EQUIPPED ON TOP OF TANK ARE TO BE SHIPPED LOOSE FOR FIELD INSTALLATION
- 2.) CUSTOMER TO SPECIFY INLET, OUTLET AND SLUDGE CONNECTION SIZES AND LOCATIONS IF OTHER THAN SHOWN.
- 3.) CLARIFIER INSTALLATION SITE TO ALLOW AN ADDITIONAL 6'-0" ABOVE TANK FOR PLATE REMOVAL AND INSTALLATION
- 4.) SLUDGE HOPPER WITHDRAW PIPING VARIES WITH MODELS

REV.	DATE	DESCRIPTION	APPROV.

Pollution Control Systems, Inc. 5827 Happy Hollow Rd., Suite 1B Milford, Ohio 45150 (513) 831-1165 E-mail: PolConSys@aol.com	420-900 SQ. FT. PARALLEL PL. CLARIFIER W/ FLASH MIX-FLOCCULATION TANK	
	SCALE: PLOT 1/4"=1' DRAWN BY: JJM CHECKED BY: JJM	QUOTE NO. DATE: 1/12/00 DATE: 1/12/00

THIS DRAWING CONTAINS INFORMATION THAT IS PROPRIETARY TO POLLUTION CONTROL SYS. INC. AND IS NOT TO BE USED WITHOUT PERMISSION OF POLLUTION CONTROL SYS. INC.