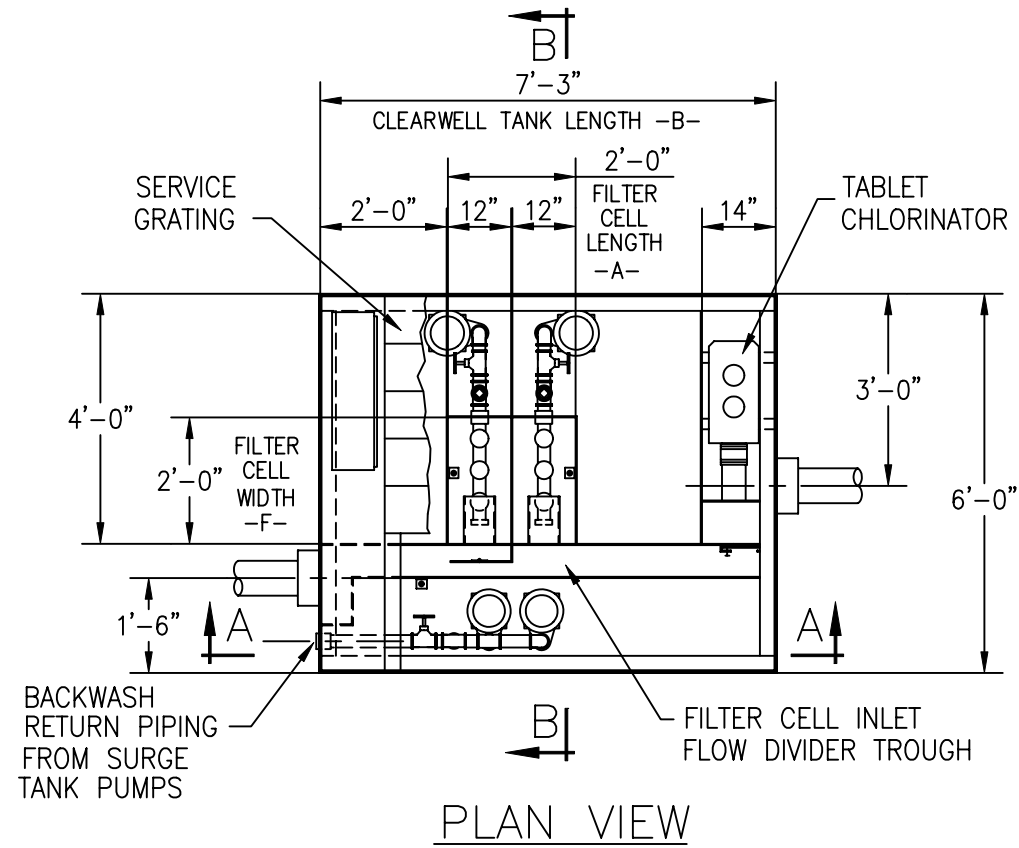
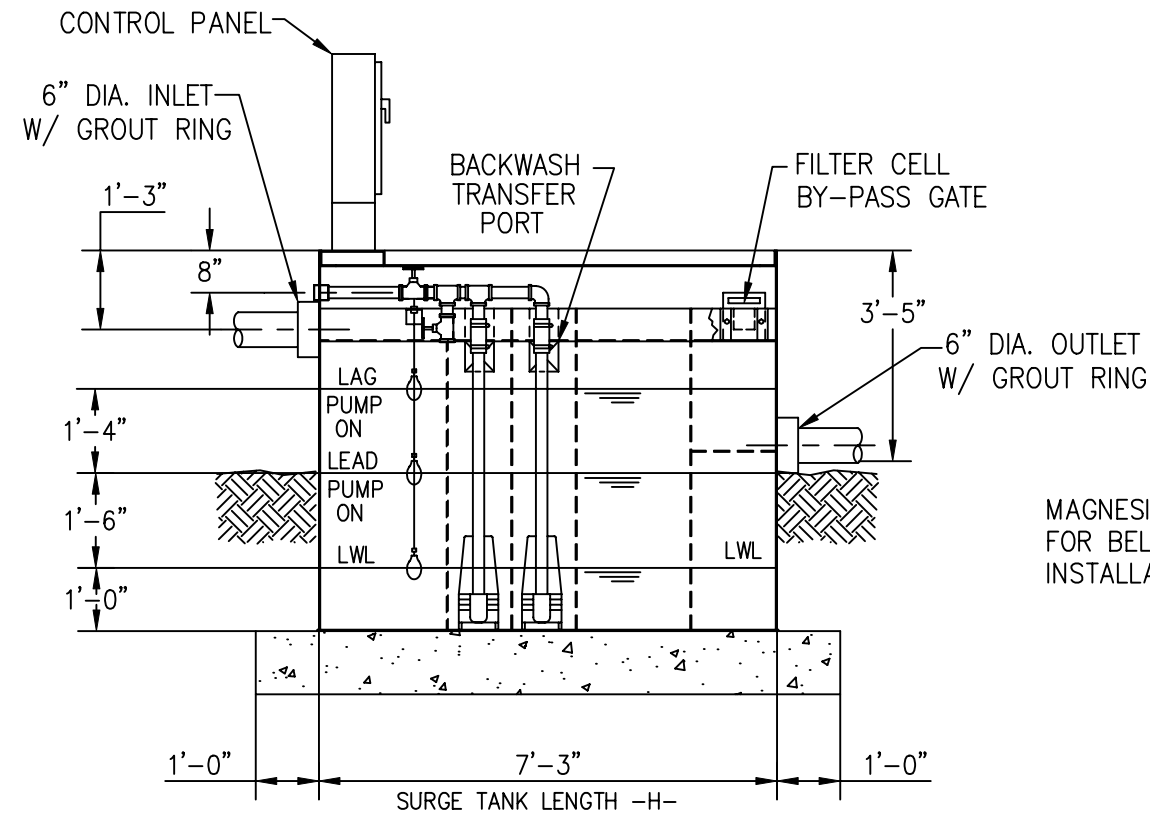
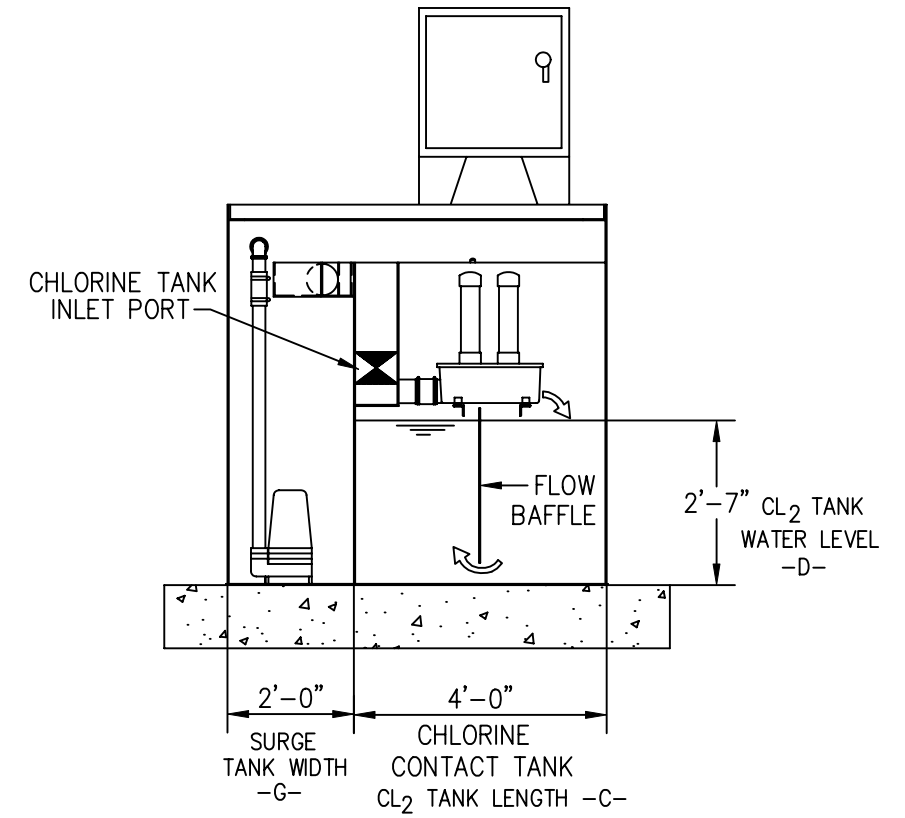


NOTES:

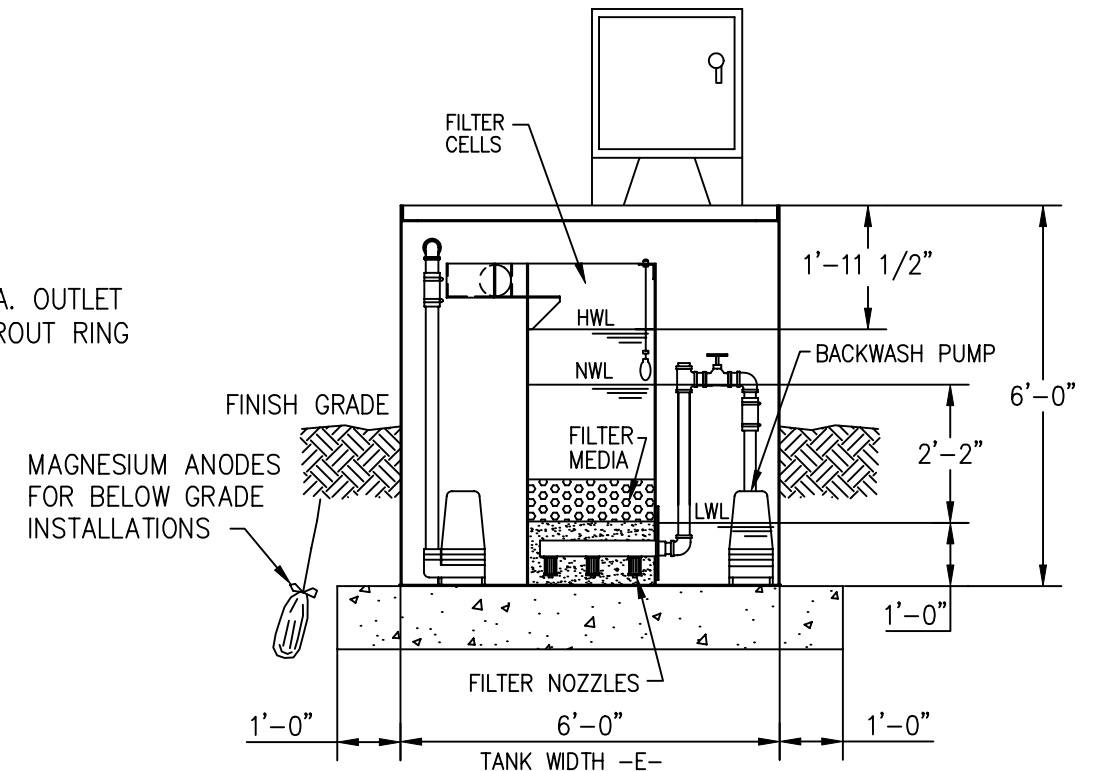
- 1) ALL EXTERNAL TANK PIPING IS NOT SUPPLIED BY PCS
- 2) ACCESS LADDERS AND HANDRAILS ARE OPTIONAL
- 3) INCOMING ELECTRICAL POWER SUPPLY AND THE CONNECTION TO THE CONTROL PANEL IS BY OTHERS.
- 4.) FOUNDATION PAD DESIGN IS DETERMINED BY THE PROJECT ENGINEER AFTER PROJECT SITE SOIL ANALYSIS IS COMPLETED
- 5) FILTER MEDIA AIR SCOURING FACILITIES ARE NOT INCLUDED ON THIS MODEL TERTIARY FILTER.



PLAN VIEW



VIEW A-A



VIEW B-B

OPTIONAL EQUIPMENT- MATERIALS -TANKAGE	
FULL TANK GRATING	GALVANIZED PIPING
BAR TYPE GRATING	DE-CHLORINATION
HANDRAILS/ TOEPLATES	GAS CHLORINATION
LADDERS/ STAIRWAYS	U V DISINFECTION
ANCHOR BRK'TS	NEMA 4X PANEL
MAGNESIUM ANODES	REMOTE MOUNTED
EPOXY PAINT SYSTEM	BLOWERS & CONTROLS

TERTIARY FILTER MODEL NO.	DESIGN FLOW RATE	AREA IN SQ. FT.		CHAMBER VOLUME IN GAL.		
		FILTER CELL NO. 1	FILTER CELL NO. 2	CLEARWELL	SURGE	CHLORINE CONTACT
TF-2-2-C	5,000 GPD	2'-0"	2'-0"	309	307	103

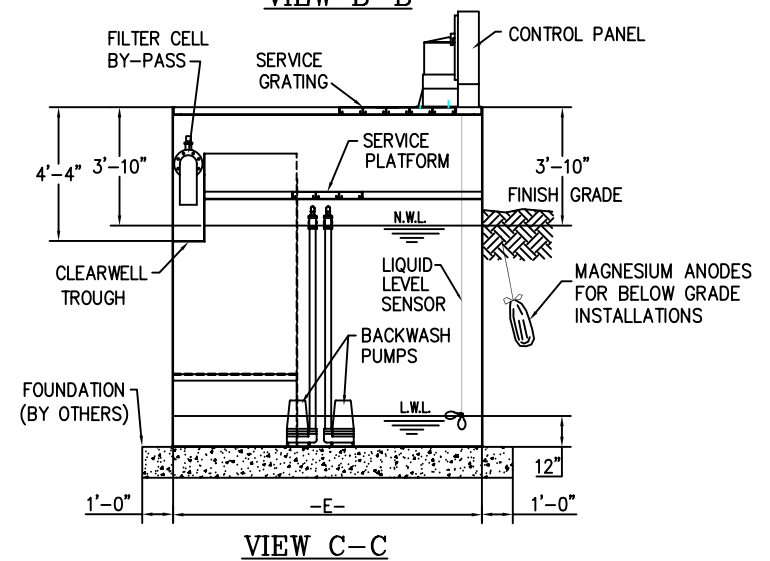
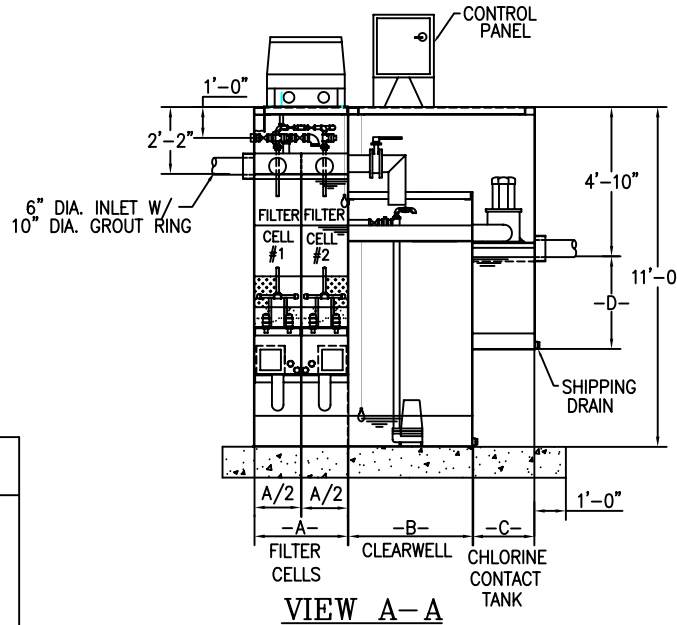
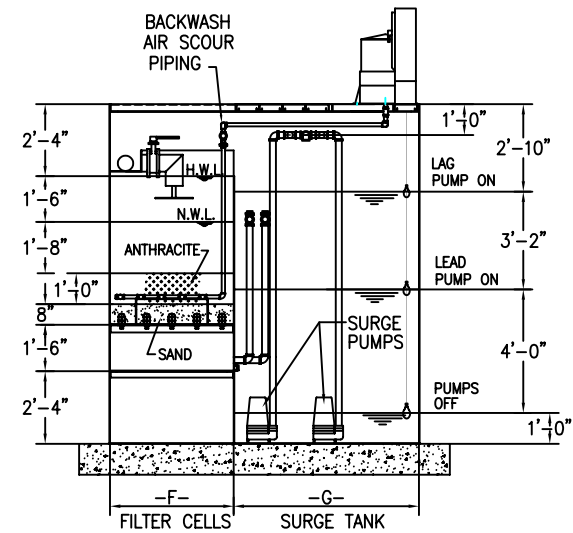
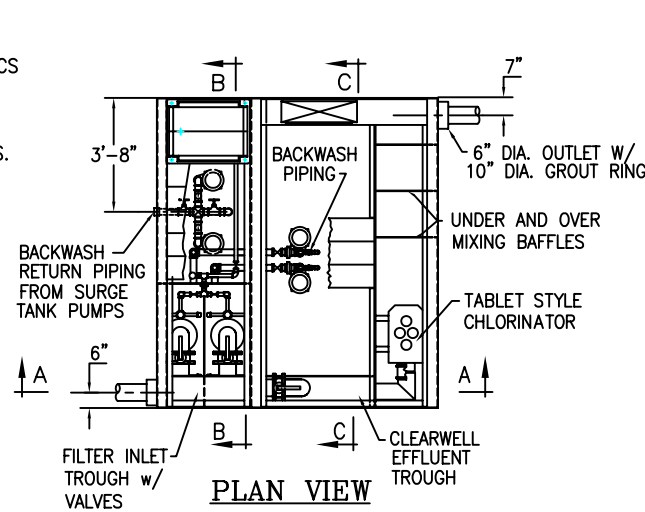
**PCS** Pollution Control Systems, Inc.  
 5827 Happy Hollow Ln, Suite 1B  
 Milford, Ohio 45150  
 (513) 831-1165  
 E-mail PolConSys@aol.com

THIS DRAWING CONTAINS INFORMATION THAT IS PROPRIETARY TO POLLUTION CONTROL SYSTEMS AND IS NOT TO BE USED WITHOUT PERMISSION OF POLLUTION CONTROL SYSTEMS

PREFABRICATED TERTIARY FILTER SYSTEM			
SCALE: NTS	QUOTE NO.	PROJECT NO.	
DRAWN BY: JJM	DATE: 10-21-99	SHEET	DRAWING NO.
CHECKED BY: JJM	DATE: 10-26-99	1 OF 1	PF-1-C

**NOTES:**

- 1) ALL EXTERNAL TANK PIPING IS NOT SUPPLIED BY PCS
- 2) ACCESS LADDERS AND HANDRAILS ARE OPTIONAL
- 3) INCOMING ELECTRICAL POWER SUPPLY AND THE CONNECTION TO THE CONTROL PANEL IS BY OTHERS.
- 4.) FOUNDATION PAD DESIGN IS DETERMINED BY THE PROJECT ENGINEER AFTER PROJECT SITE SOIL ANALYSIS IS COMPLETED



DESIGN FLOW: MAXIMUM \_\_\_\_\_ GPD

OPTIONAL EQUIPMENT- MATERIALS -TANKAGE	
FULL TANK GRATING	GALVANIZED PIPING
BAR TYPE GRATING	DE-CHLORINATION
HANDRAILS/ TOEPLATES	GAS CHLORINATION
LADDERS/ STAIRWAYS	U V DISINFECTION
ANCHOR BRK'TS	NEMA 4X PANEL
MAGNESIUM ANODES	REMOTE MOUNTED BLOWERS & CONTROLS
EPOXY PAINT SYSTEM	

TERTIARY FILTER MODEL NO.	AREA IN SQ. FT.		CHAMBER VOLUME IN GAL.		
	FILTER CELL NO. 1	FILTER CELL NO. 2	CLEARWELL	SURGE	CHLORINE CONTACT
TF-2- -C					

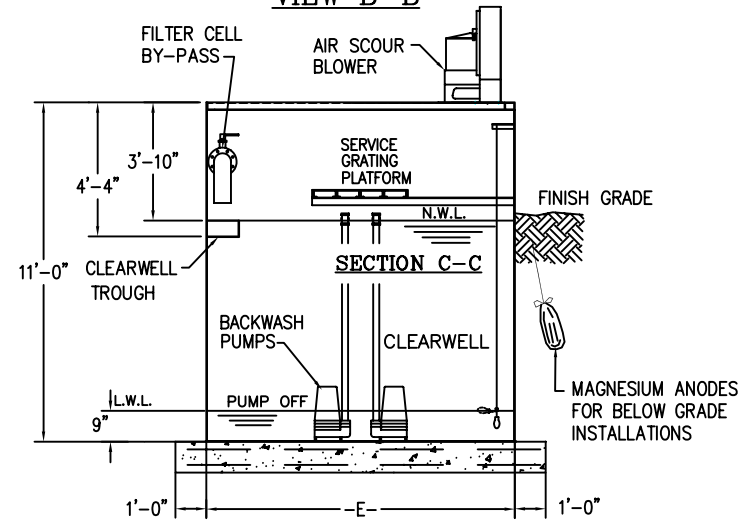
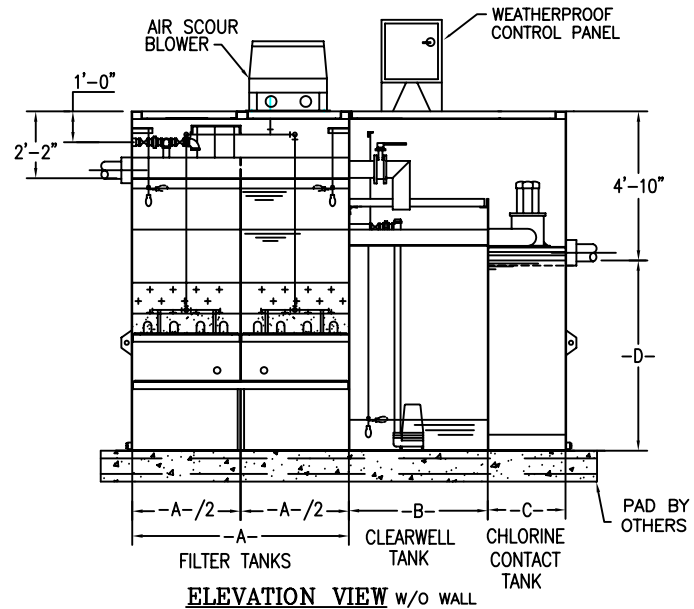
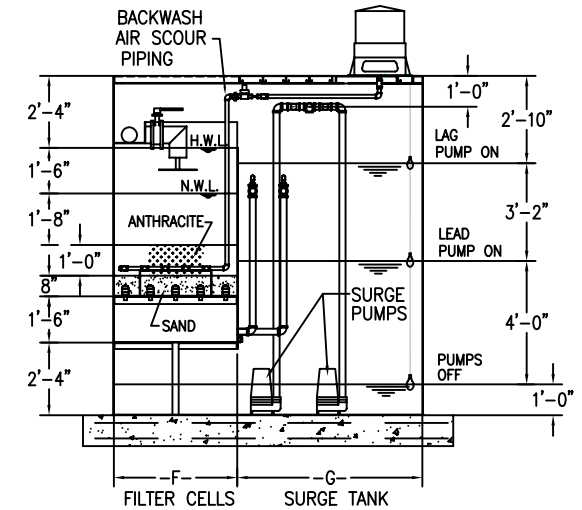
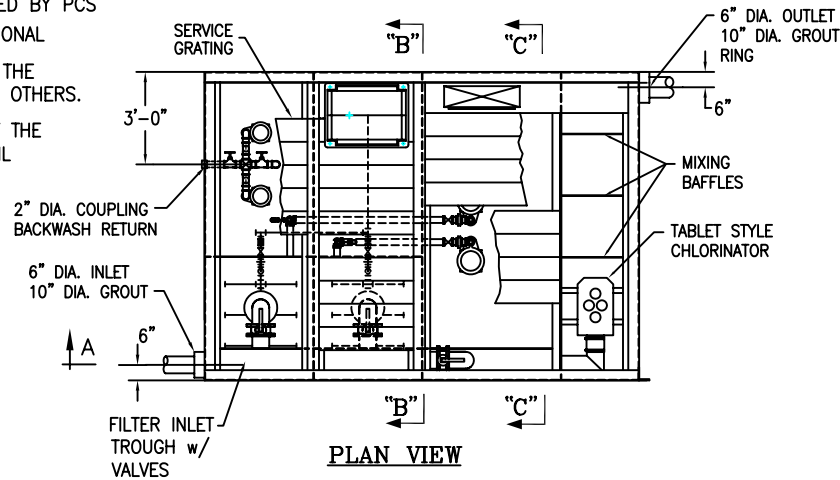
**PCS** Pollution Control Systems, Inc.  
 5827 Happy Hollow Ln, Suite 1B  
 Millford, Ohio 45150  
 (513) 831-1165  
 E-mail: PolConSys@aol.com

**PREFABRICATED TERTIARY FILTER SYSTEM**

SCALE: NTS	QUOTE NO.	PROJECT NO.
DRAWN BY: JJM	DATE: 7-21-98	SHEET
CHECKED BY: JJM	DATE: 7-21-98	1 OF 1
THIS DRAWING CONTAINS INFORMATION THAT IS PROPRIETARY TO POLLUTION CONTROL SYSTEMS AND IS NOT TO BE USED WITHOUT PERMISSION OF POLLUTION CONTROL SYSTEMS		DRAWING NO. PF-2-C

**NOTES:**

- 1.) ALL EXTERNAL TANK PIPING IS NOT SUPPLIED BY PCS
- 2.) ACCESS LADDERS AND HANDRAILS ARE OPTIONAL
- 3.) INCOMING ELECTRICAL POWER SUPPLY AND THE CONNECTION TO THE CONTROL PANEL IS BY OTHERS.
- 4.) FOUNDATION PAD DESIGN IS DETERMINED BY THE PROJECT ENGINEER AFTER PROJECT SITE SOIL ANALYSIS IS COMPLETED



OPTIONAL EQUIPMENT- MATERIALS -TANKAGE	
FULL TANK GRATING	GALVANIZED PIPING
BAR TYPE GRATING	DE-CHLORINATION
HANDRAILS/ TOEPLATES	GAS CHLORINATION
LADDERS/ STAIRWAYS	U V DISINFECTION
ANCHOR BRK'TS	NEMA 4X PANEL
MAGNESIUM ANODES	REMOTE MOUNTED BLOWERS & CONTROLS
EPOXY PAINT SYSTEM	

TERTIARY FILTER MODEL NO.	AREA IN SQ. FT.		CHAMBER VOLUME IN GAL.		
	FILTER CELL NO. 1	FILTER CELL NO. 2	CLEARWELL	SURGE	CHLORINE CONTACT
TF-2- -C					

REV.	DATE	DESCRIPTION	APPROV.
1	11/29/84	UPDATED BLOWERS AND ADDED INLET-BYPASS VALVES	OM

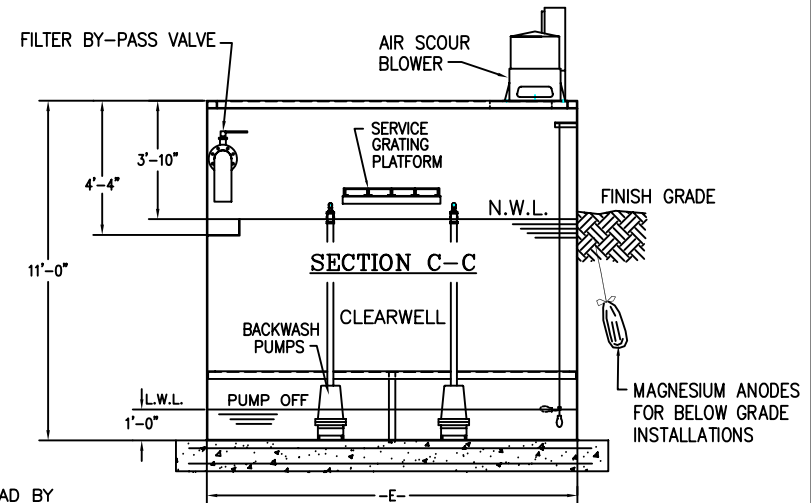
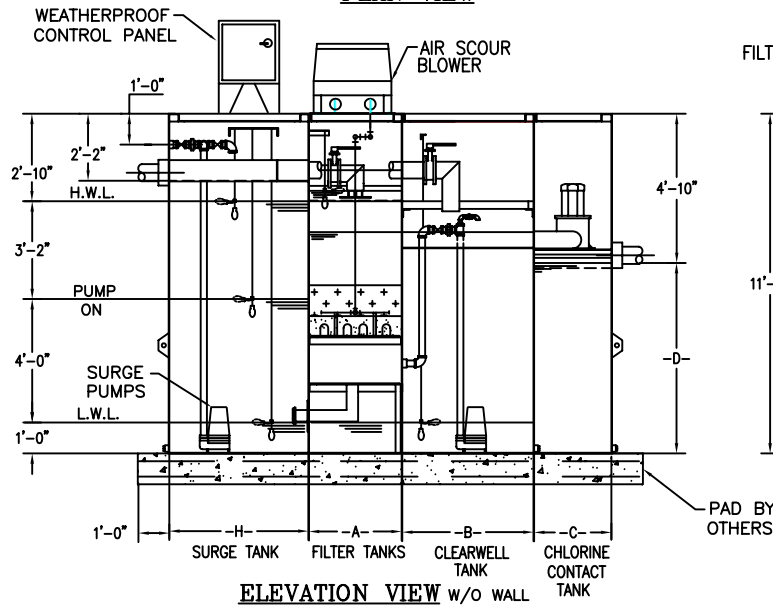
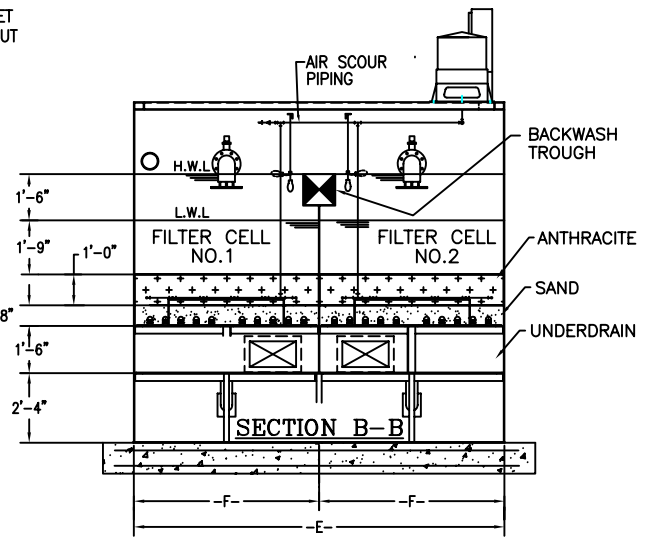
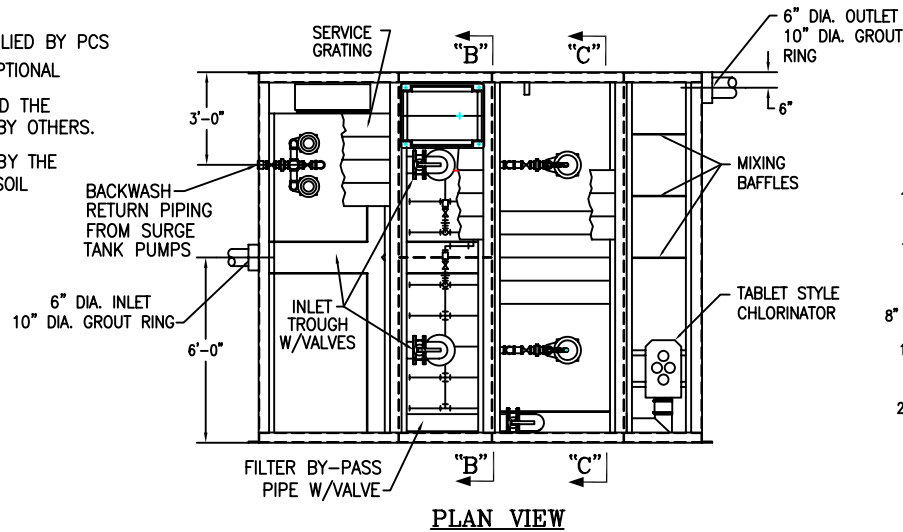
**PCS** Pollution Control Systems, Inc.  
 5827 Happy Hollow Ln, Suite 1B  
 Millford, Ohio 45150  
 (513) 831-1165  
 E-mail: PolConSys@aol.com

PREFABRICATED TERTIARY FILTER SYSTEM			
SCALE: NTS	QUOTE NO.	PROJECT NO.	
DRAWN BY: JJM	DATE: 7-21-98	SHEET	DRAWING NO.
CHECKED BY: JJM	DATE: 7-21-98	1 OF 1	PF-3-C

THIS DRAWING CONTAINS INFORMATION THAT IS PROPRIETARY TO POLLUTION CONTROL SYSTEMS AND IS NOT TO BE USED WITHOUT PERMISSION OF POLLUTION CONTROL SYSTEMS

**NOTES:**

- 1.) ALL EXTERNAL TANK PIPING IS NOT SUPPLIED BY PCS
- 2.) ACCESS LADDERS AND HANDRAILS ARE OPTIONAL
- 3.) INCOMING ELECTRICAL POWER SUPPLY AND THE CONNECTION TO THE CONTROL PANEL IS BY OTHERS.
- 4.) FOUNDATION PAD DESIGN IS DETERMINED BY THE PROJECT ENGINEER AFTER PROJECT SITE SOIL ANALYSIS IS COMPLETED



OPTIONAL EQUIPMENT- MATERIALS -TANKAGE	
FULL TANK GRATING	GALVANIZED PIPING
BAR TYPE GRATING	DE-CHLORINATION
HANDRAILS/ TOEPLATES	GAS CHLORINATION
LADDERS/ STAIRWAYS	U V DISINFECTION
ANCHOR BRK'TS	NEMA 4X PANEL
MAGNESIUM ANODES	REMOTE MOUNTED
EPOXY PAINT SYSTEM	BLOWERS & CONTROLS

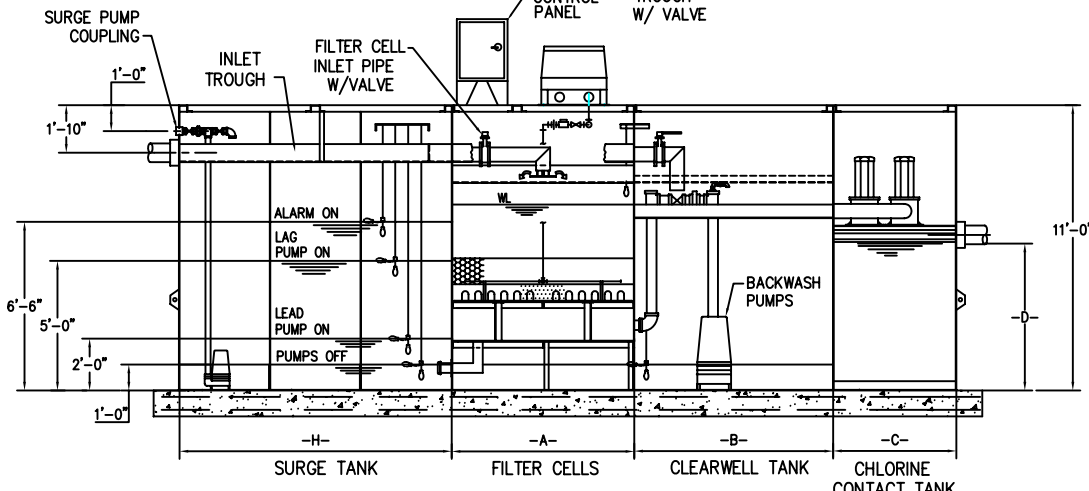
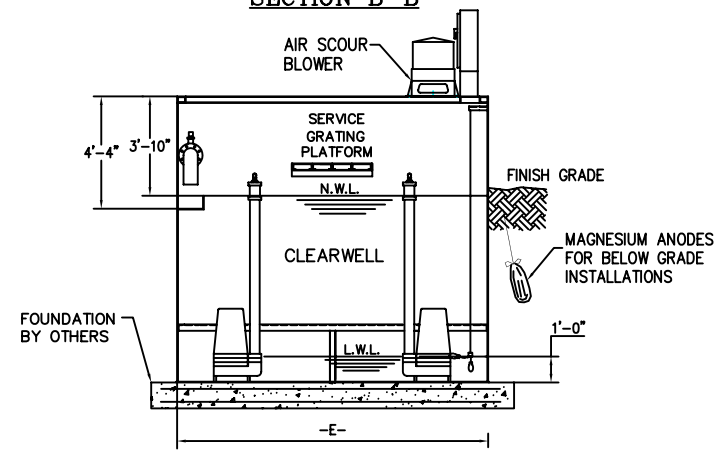
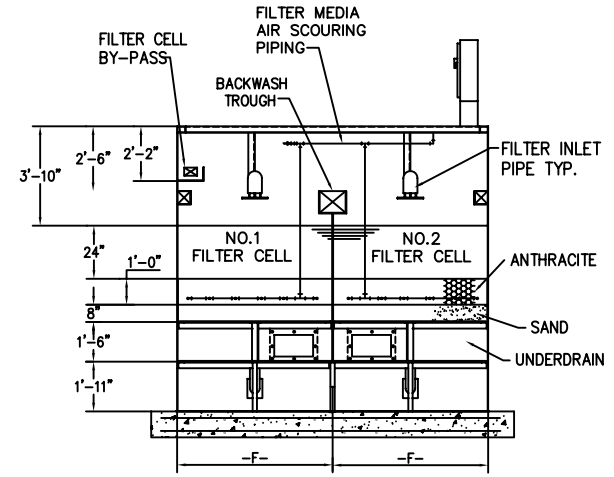
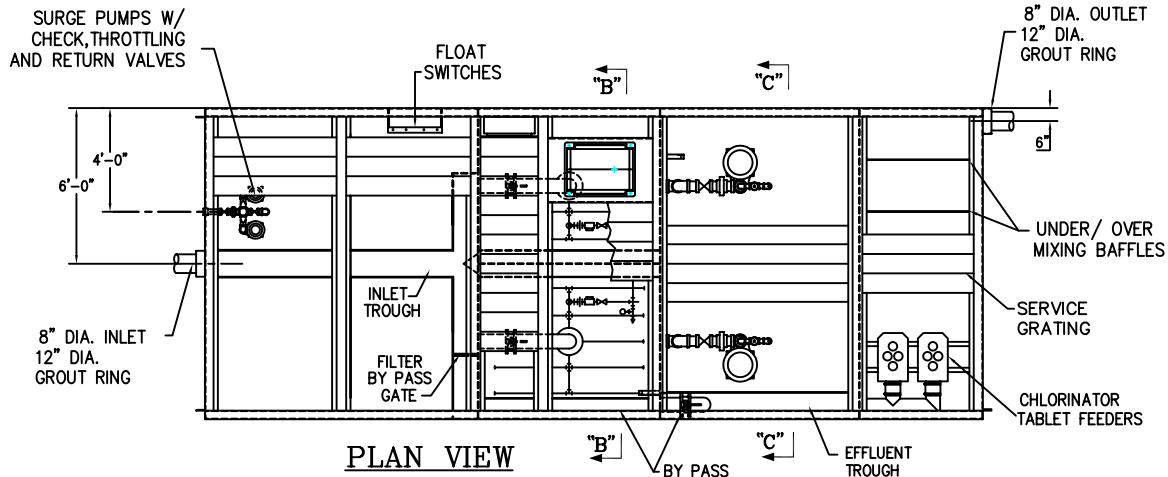
TERTIARY FILTER MODEL NO.	AREA IN SQ. FT.		CHAMBER VOLUME IN GAL.		
	FILTER CELL NO. 1	FILTER CELL NO. 2	CLEARWELL	SURGE	CHLORINE CONTACT
TF-2- -C					

REV.	DATE	DESCRIPTION	APP.
1	11/09/94	UPDATED BLOWERS AND ADDED INLET & BYPASS VALVES	ONE

**PCS** Pollution Control Systems, Inc.  
 5827 Happy Hollow Ln, Suite 1B  
 Milford, Ohio 45150  
 (513) 831-1165  
 E-mail: PolConSys@aol.com

PREFABRICATED TERTIARY FILTER SYSTEM			
SCALE:	NTS	QUOTE NO.	PROJECT NO.
DRAWN BY:	JJM	DATE:	7-21-98
CHECKED BY:	JJM	DATE:	7-21-98
SHEET	1 OF 1	DRAWING NO.	PF-4-C

THIS DRAWING CONTAINS INFORMATION THAT IS PROPRIETARY TO POLLUTION CONTROL SYSTEMS AND IS NOT TO BE USED WITHOUT PERMISSION OF POLLUTION CONTROL SYSTEMS



**ELEVATION VIEW**

W/O SIDE WALL

- NOTES:**
- 1) ALL EXTERNAL TANK PIPING IS NOT SUPPLIED BY PCS
  - 2) ACCESS LADDERS AND HANDRAILS ARE OPTIONAL
  - 3) INCOMING ELECTRICAL POWER SUPPLY AND THE CONNECTION TO THE CONTROL PANEL IS BY OTHERS.
  - 4.) FOUNDATION PAD DESIGN IS DETERMINED BY THE PROJECT ENGINEER AFTER PROJECT SITE SOIL ANALYSIS IS COMPLETED

**OPTIONAL EQUIPMENT- MATERIALS -TANKAGE**

FULL TANK GRATING	GALVANIZED PIPING
BAR TYPE GRATING	DE-CHLORINATION
HANDRAILS/ TOEPLATES	GAS CHLORINATION
LADDERS/ STAIRWAYS	U V DISINFECTION
ANCHOR BRK'TS	NEMA 4X PANEL
MAGNESIUM ANODES	REMOTE MOUNTED
EPOXY PAINT SYSTEM	BLOWERS & CONTROLS

TERTIARY FILTER MODEL NO.	AREA IN SQ. FT.		CHAMBER VOLUME IN GAL.		
	FILTER CELL NO. 1	FILTER CELL NO. 2	CLEARWELL	SURGE	CHLORINE CONTACT
TF-2- -C					

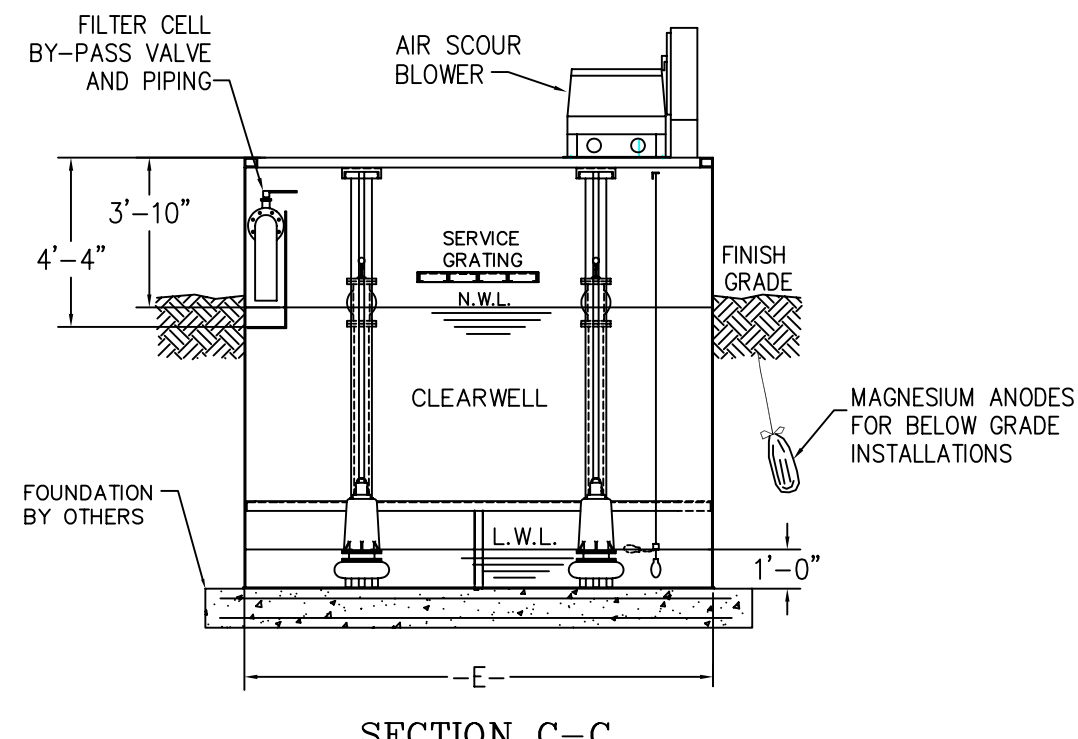
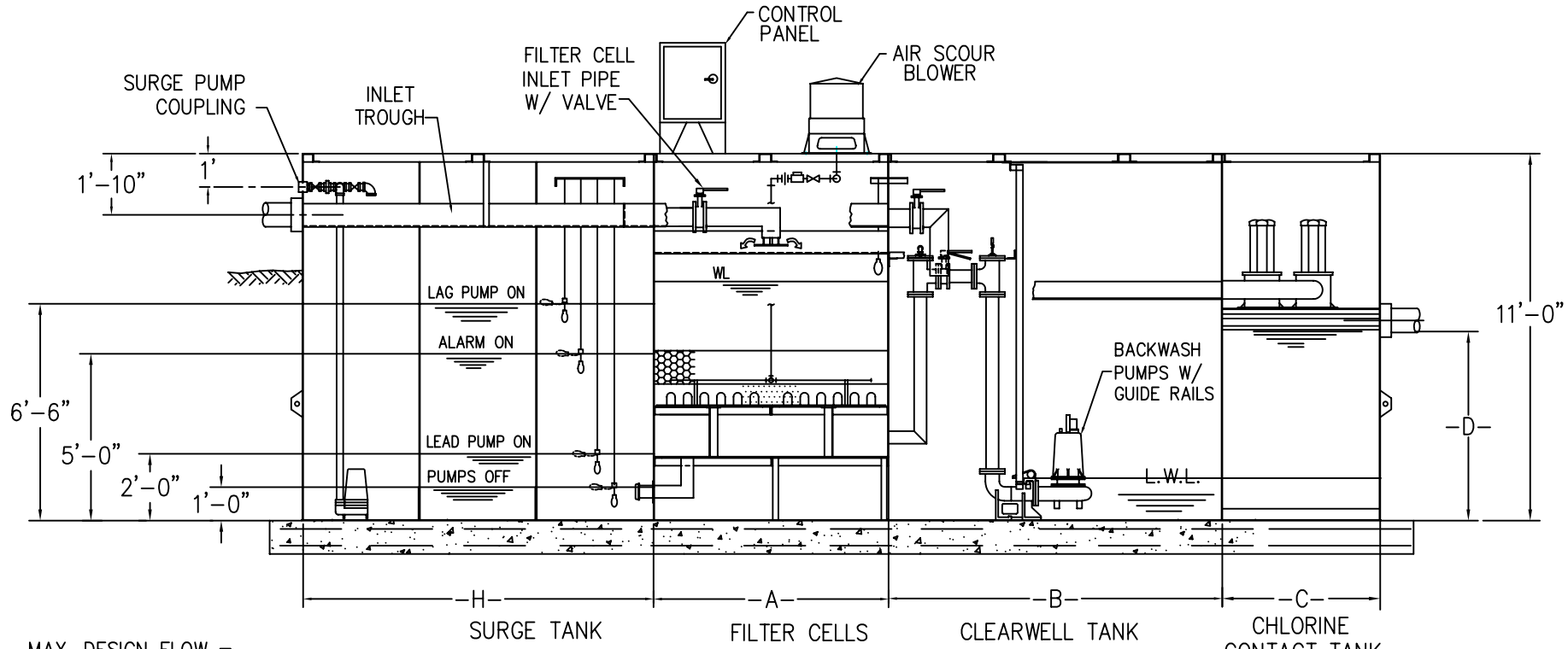
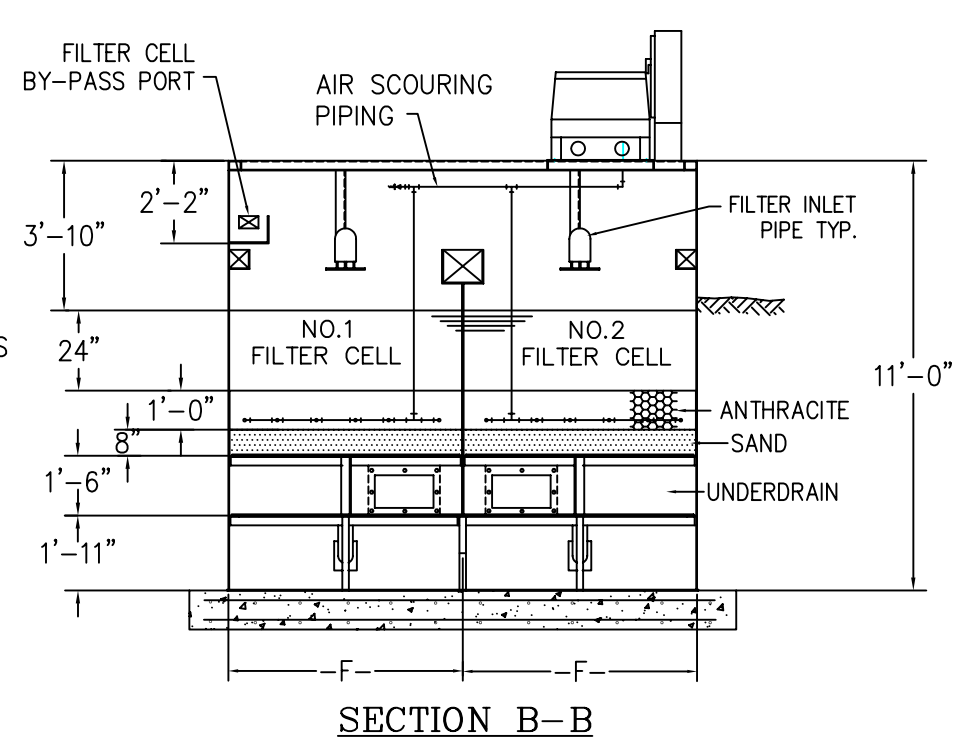
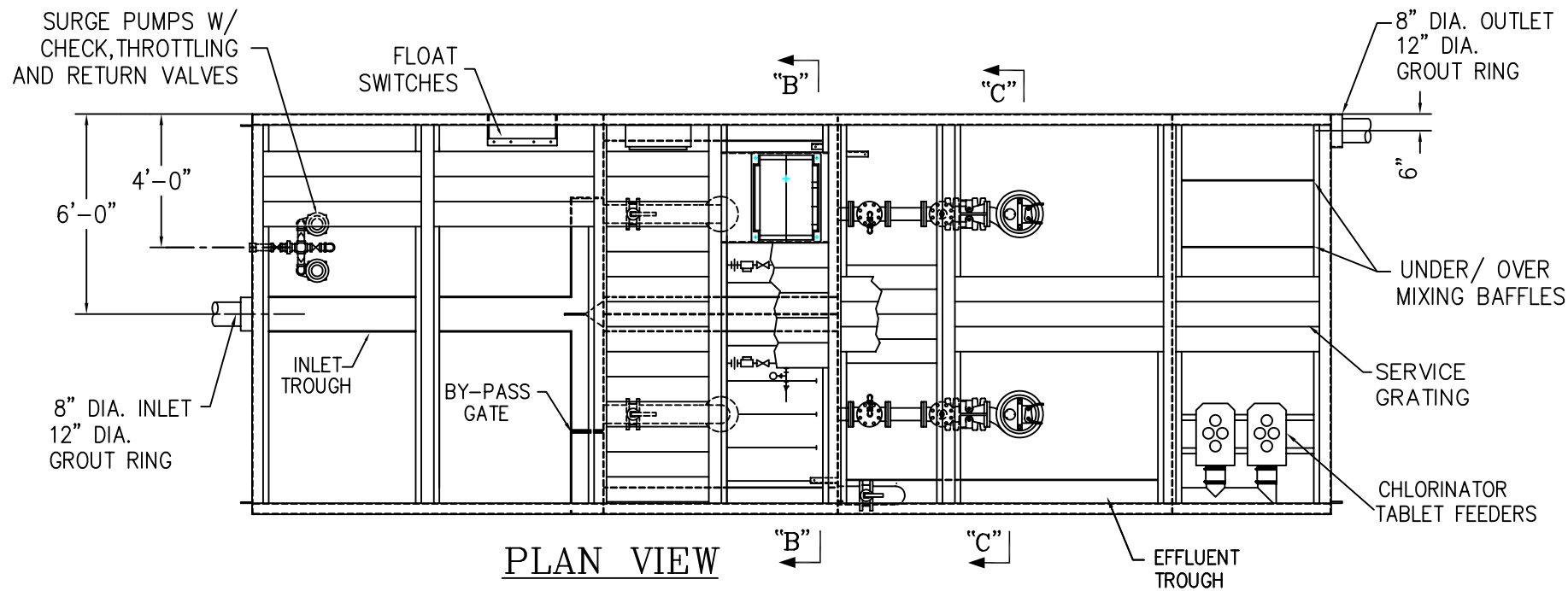
REV.	DATE	DESCRIPTION	APP.
1	11/10/94	UPDATED BLOWERS AND ADDED INLET-BYPASS VALVES	OW

**PCS** Pollution Control Systems, Inc.  
 5827 Happy Hollow Rd, Suite 1B  
 Milford, Ohio 45150  
 (513) 831-1165  
 PolConSys • AOL.com

**PREFABRICATED TERTIARY FILTER SYSTEM**

SCALE: NTS	QUOTE NO.	PROJECT NO.
DRAWN BY: JUM	DATE: 1-27-99	SHEET
CHECKED BY: JUM	DATE: 1-29-99	1 OF 1
		DRAWING NO. PF-5-C

THIS DRAWING CONTAINS INFORMATION THAT IS PROPRIETARY TO POLLUTION CONTROL SYSTEMS AND IS NOT TO BE USED WITHOUT PERMISSION OF POLLUTION CONTROL SYSTEMS



**ELEVATION VIEW**  
W/O SIDE WALL

MAX. DESIGN FLOW = \_\_\_\_\_

**NOTES:**

- 1) ALL EXTERNAL TANK PIPING TO THE TANK IS NOT SUPPLIED BY PCS
- 2) FOUNDATION PAD DESIGN IS DETERMINED BY THE PROJECT ENGINEER AFTER A SITE SOIL ANALYSIS IS COMPLETED.
- 3) ACCESS LADDERS AND HANDRAILS ARE OPTIONAL
- 4) INCOMING ELECTRICAL POWER SUPPLY AND THE CONNECTION TO THE CONTROL PANEL IS BY OTHERS.

**OPTIONAL EQUIPMENT- MATERIALS -TANKAGE**

FULL TANK GRATING	GALVANIZED PIPING
BAR TYPE GRATING	DE-CHLORINATION
HANDRAILS/ TOEPLATES	GAS CHLORINATION
LADDERS/ STAIRWAYS	U V DISINFECTION
ANCHOR BRK'TS	NEMA 4X PANEL
MAGNESIUM ANODES	REMOTE MOUNTED
EPOXY PAINT SYSTEM	BLOWERS & CONTROLS

TERTIARY FILTER MODEL NO.	AREA IN SQ. FT.		CHAMBER VOLUME IN GAL.		
	FILTER CELL NO. 1	FILTER CELL NO. 2	CLEARWELL	SURGE	CHLORINE CONTACT
TF-2- -C					

REV.	DATE	DESCRIPTION	APPROV.
3/1/15		UPDATED BACKWASH PUMPS TO SUBMERSIBLE	JJM
11/19/14		UPDATED BLOWERS AND ADDED INLET-BYPASS VALVES	CRM

**PCS** Pollution Control Systems, Inc.  
 5827 Happy Hollow Rd, Suite 1B  
 Milford, Ohio 45150  
 (513) 831-1165  
 PolConSys@aol.com

**PREFABRICATED TERTIARY FILTER SYSTEM**

SCALE: NTS	QUOTE NO.	PROJECT NO.
DRAWN BY: JJM	DATE: 1-27-99	SHEET
CHECKED BY: JJM	DATE: 1-29-99	1 OF 1
		DRAWING NO. PF-6-C

THIS DRAWING CONTAINS INFORMATION THAT IS PROPRIETARY TO POLLUTION CONTROL SYSTEMS AND IS NOT TO BE USED WITHOUT PERMISSION OF POLLUTION CONTROL SYSTEMS