

**NOTES:**

- 1) ALL EXTERNAL TANK PIPING IS TO BE SUPPLIED AND INSTALLED BY INSTALLING CONTRACTOR
- 2) ELECTRICAL CONDUIT AND WIRING BETWEEN JUNCTION BOX AND CONTROL PANEL IS SUPPLIED AND INSTALLED BY THE INSTALLING CONTRACTOR PER LOCAL CODES
- 3) INCOMING POWER TO THE ELECTRICAL CONTROL PANEL IS TO BE FURNISHED BY THE CUSTOMER.
- 4) FLOAT LOCATIONS ARE FIELD ADJUSTABLE TO MODIFY RUN TIME OF PUMPS AS WELL AS ALARM SETTINGS. FIVE (5) MINUTE RUN TIME OF PUMPS IS A MINIMUM TO PREVENT PUMP OVERHEATING
- 5) (OPTIONAL) STN. STL. HOIST WITH MTG. SOCKET AVAILABLE.
- 6) VENT PIPING IN CONCRETE TO BE SUPPLIED BY INSTALLING CONTRACTOR.
- 7) INTERMEDIATE SUPPORT WHEN BASIN HEIGHT OVER 20 FEET
- 8) ALL CONCRETE WORK AND INSTALLATION OF EQUIPMENT TO BE BY INSTALLING CONTRACTOR

**PCS EQUIPMENT SUPPLY LIST**

- (2) SUBMERSIBLE GRINDER PUMPS
- (2) 3" GALV. VERTICAL DISCHARGE PIPE
- (2) 1.5" DIA. GUIDE RAIL ASSY'S
- (2) LIFT OUT ASSY'S. W/ BASE
- (2) STN. STL. LIFTING CHAIN
- (4) MERCURY BULB STYLE FLOAT SWITCHES
- (1) ELECTRICAL JUNCTION BOX FOR PUMPS & FLOATS W/ CORDGRIPS
- (1) ELECTRICAL CONTROL PANEL

REV.	DATE	DESCRIPTION	APPROV.

\* PLOT SCALE BASED ON B-SIZE SHEET 11"x17"



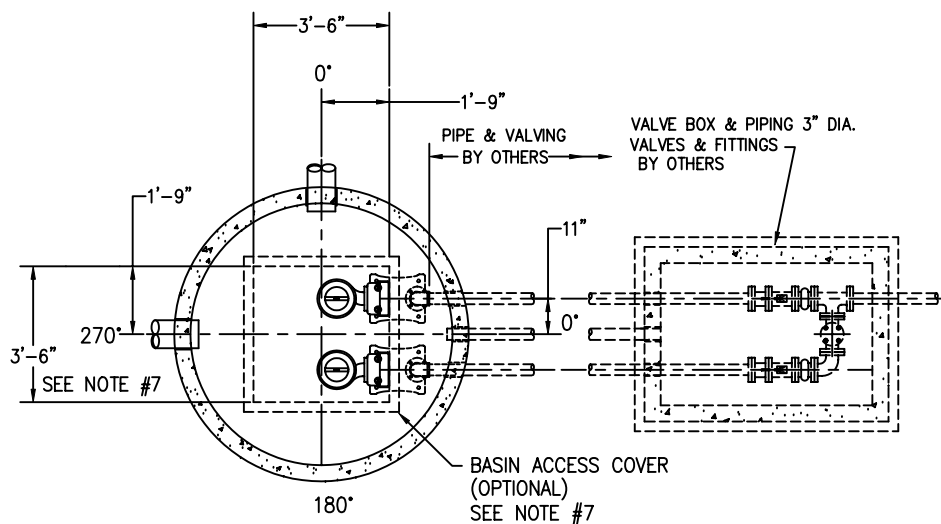
5827 Happy Hollow Ln, Suite 1B  
 Milford, Ohio 45150  
 (513) 831-1165  
 E-mail PolConSys@aol.com

CONCRETE LIFT STATION DETAILS

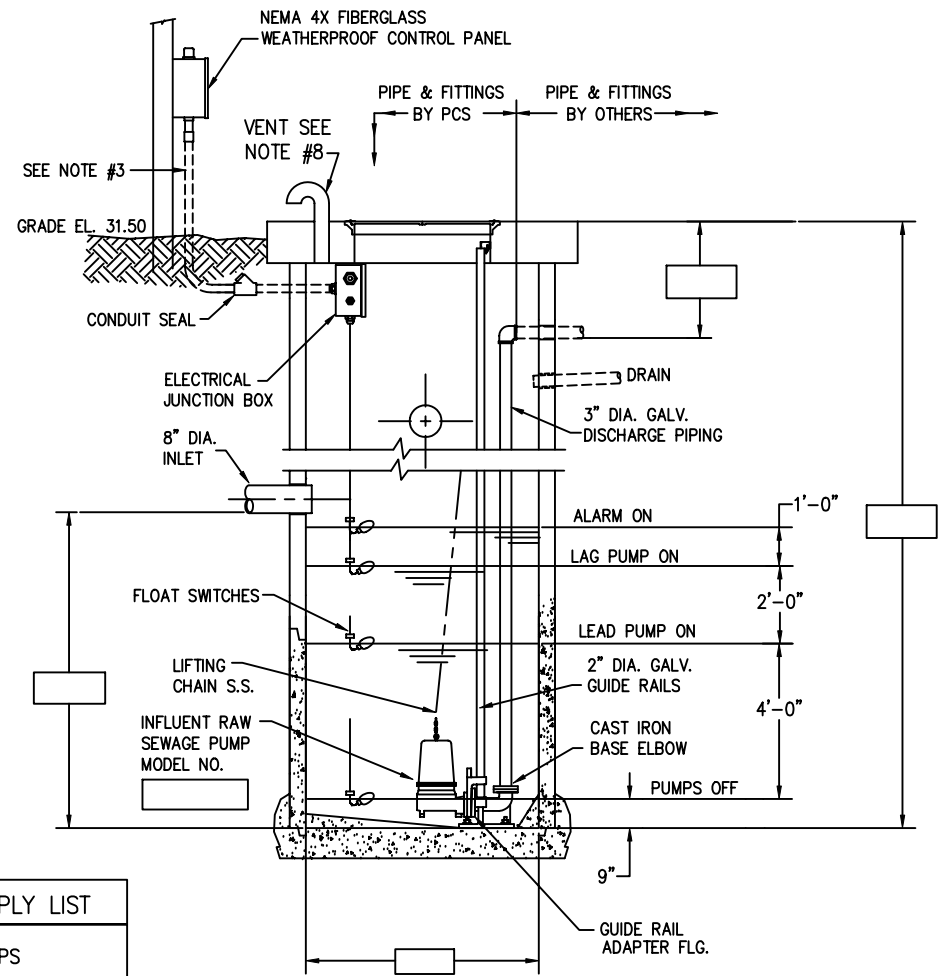
SEWAGE LIFT STATION ASSY.

THIS DRAWING CONTAINS INFORMATION THAT IS PROPRIETARY TO POLLUTION CONTROL SYSTEMS AND IS NOT TO BE USED WITHOUT WRITTEN PERMISSION OF POLLUTION CONTROL SYSTEMS INC.

SCALE: * PLOT: 3/8"=1'	QUOTE NO.	PROJECT NO.
DRAWN BY: JJM	DATE: 7/25/02	SHEET
CHECKED BY: HM	DATE: 7/25/02	1 OF 1
		DRAWING NO. LS2-C-G



**PLAN VIEW PUMP MTG.**  
 CUTOUT TO ACCOMADATE MOUNTING  
 OF RAILS AND REMOVAL OF PUMP  
 AND CL MIN. DIMENSION FOR FITTINGS



**NOTES:**

- 1) ALL PIPING & PARTS TO BE SUPPLIED BY OTHERS UNLESS SHOWN ON PCS EQUIPMENT LIST.
- 2) ALL CONCRETE WORK AND WALL SLEEVES ARE TO BE SUPPLIED AND INSTALLED BY THE CONTRACTOR
- 3) ELECTRICAL CONDUIT AND WIRING BETWEEN JUNCTION BOX AND AND CONTROL PANEL IS SUPPLIED AND INSTALLED BY THE INSTALLING CONTRACTOR PER ENGINEERS SPECIFICATIONS
- 4) INCOMING POWER TO THE ELECTRICAL CONTROL PANEL IS TO BE FURNISHED BY THE CUSTOMER.
- 5) FLOAT LOCATIONS ARE FIELD ADJUSTABLE TO MODIFY RUN TIME OF PUMPS AS WELL AS ALARM SETTINGS. FIVE (5) MINUTE RUN TIME OF PUMPS IS A MINIMUM TO PREVENT PUMP OVERHEATING
- 6) PUMP AND BASE WITH GUIDE RAILS TO BE MOUNTED AND INSTALLED BEFORE FLOOR GROUTING FROM OUTSIDE EDGES INWARD.
- 7) MANWAY SIZE MUST ACCOMADATE PUMPS, PIPING AND RAIL SYSTEM. REMOVAL OF BOTH PUMPS
- 8) VENT PIPING IN CONCRETE TO BE SUPPLIED BY INSTALLING CONTRACTOR.

PCS EQUIPMENT SUPPLY LIST	
(2)	SUBMERSIBLE SEWAGE PUMPS
(2)	3" GALV. VERTICAL DISCHARGE PIPE
(2)	2" DIA. GUIDE RAIL ASSY'S W/ BASE
(2)	STN. STL. LIFTING CHAIN
(4)	MERCURY BULB STYLE FLOAT SWITCHES
(1)	NEMA 4X FIBERGLASS JUNCTION BOX W/ CORDGRIPS FOR PUMPS & FLOATS
(1)	ELECTRICAL CONTROL PANEL

\* PLOT SCALE BASED ON B-SIZE SHEET 11"x17"



Pollution Control Systems, Inc.  
 5827 Happy Hollow Ln, Suite 1B  
 Milford, Ohio 45150  
 (513) 831-1165  
 E-mail PolConSys@aol.com

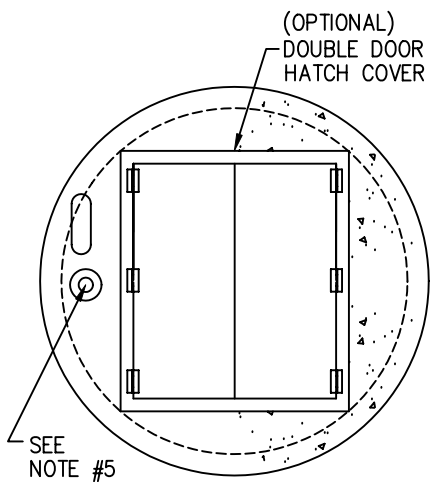
**TREATMENT PLANT LIFT STATION DETAILS**

**SEWAGE LIFT STATION ASSY.**

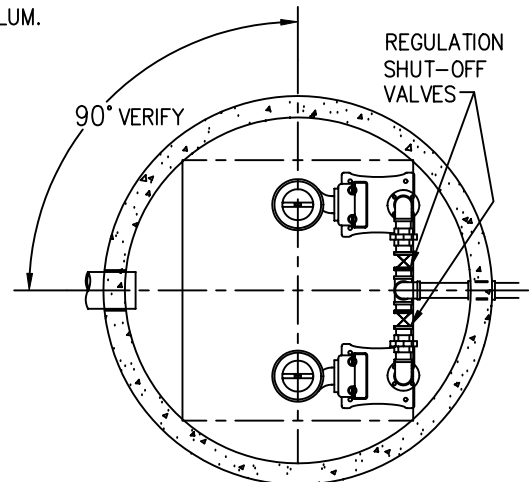
SCALE: * PLOT: 1/8"=1'	QUOTE NO.	PROJECT NO.
DRAWN BY: JUM	DATE: 7/25/02	SHEET
CHECKED BY: HM	DATE: 7/25/02	1 OF 1
		DRAWING NO. LS2-C-S-VB

REV.	DATE	DESCRIPTION	APPROV.

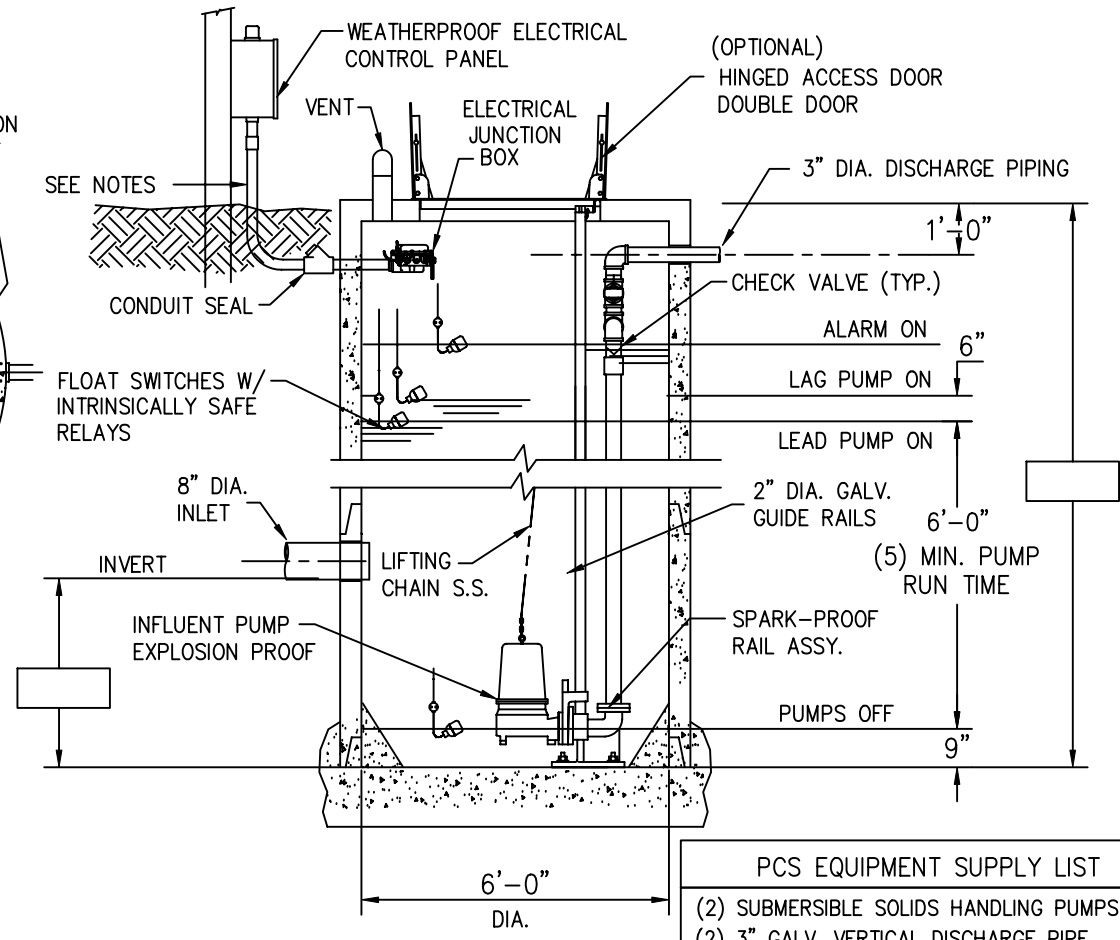
THIS DRAWING CONTAINS INFORMATION THAT IS PROPRIETARY TO POLLUTION CONTROL SYSTEMS AND IS NOT TO BE USED WITHOUT WRITTEN PERMISSION OF POLLUTION CONTROL SYSTEMS INC.



**COVER DETAIL**



**PLAN VIEW PUMP MOUNTING**



- NOTES:**
- 1) ALL EXTERNAL TANK PIPING IS TO BE SUPPLIED AND INSTALLED BY INSTALLING CONTRACTOR
  - 2) ELECTRICAL CONDUIT AND WIRING BETWEEN JUNCTION BOX AND CONTROL PANEL IS SUPPLIED AND INSTALLED BY THE INSTALLING CONTRACTOR
  - 3) INCOMING POWER TO THE ELECTRICAL CONTROL PANEL IS TO BE FURNISHED BY THE CUSTOMER.
  - 4) FLOAT LOCATIONS ARE FIELD ADJUSTABLE TO MODIFY RUN TIME OF PUMPS AS WELL AS ALARM SETTINGS. FIVE (5) MINUTE RUN TIME OF PUMPS IS A MINIMUM TO PREVENT PUMP OVERHEATING
  - 5) A PORTABLE STN. STL PORTABLE HOIST CAN BE SUPPLIED W/ EMBEDDED FLOOR SOCKET FOR PUMP REMOVAL. (OPTIONAL)
  - 6) PUMP AND BASE WITH GUIDE RAILS TO BE MOUNTED AND INSTALLED BEFORE FLOOR GROUTING FROM OUTSIDE EDGES INWARD.
  - 7) MANWAY SIZE MUST ACCOMADATE PUMPS, PIPING AND RAIL SYSTEM. FOR REMOVAL OF BOTH PUMPS
  - 8) VENT PIPING IN CONCRETE TO BE SUPPLIED AND INSTALLED BY INSTALLATION CONTRACTOR.
  - 9) ALL CONCRETE WORK AND WALL SLEEVES ARE TO BE SUPPLIED AND INSTALLED BY THE CONTRACTOR

PCS EQUIPMENT SUPPLY LIST	
(2)	SUBMERSIBLE SOLIDS HANDLING PUMPS
(2)	3" GALV. VERTICAL DISCHARGE PIPE
(2)	2" DIA. GUIDE RAIL ASSY'S W/ BASE
(2)	STN. STL. LIFTING CHAIN
(4)	MERCURY BULB STYLE FLOAT SWITCHES
(1)	NEMA ELECTRICAL JUNCTION BOX W/ CORDGRIPS FOR PUMPS & FLOATS
(1)	ELECTRICAL CONTROL PANEL

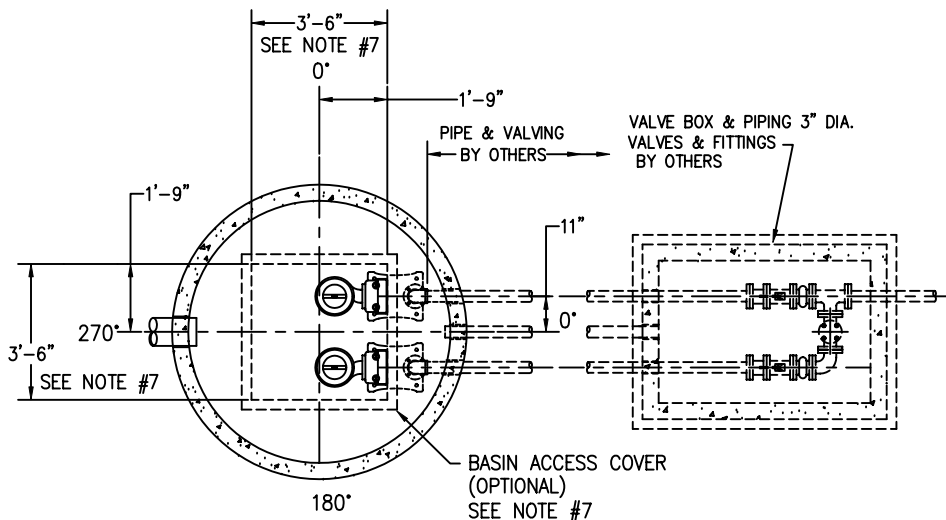
\* PLOT SCALE BASED ON B-SIZE SHEET 11"x17"

**PCS** Pollution Control Systems, Inc.  
 5827 Happy Hollow Ln, Suite 1B  
 Milford, Ohio 45150  
 (513) 831-1165  
 E-mail PolConSys@aol.com

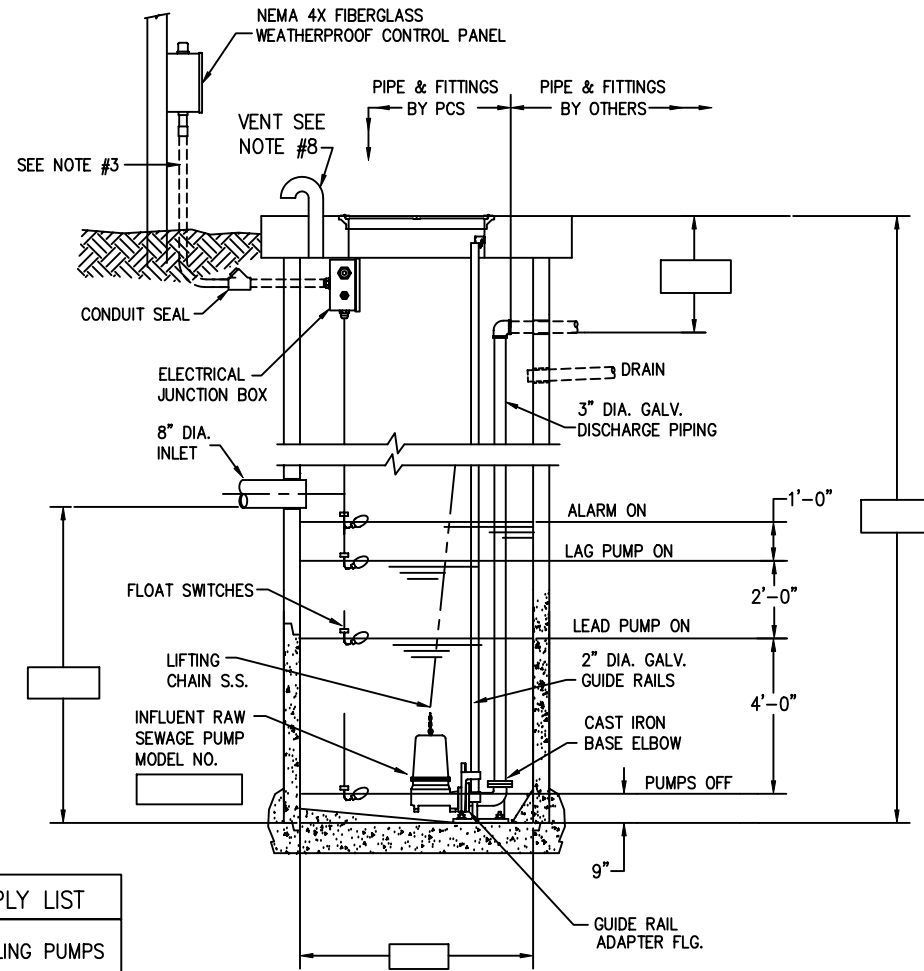
CONCRETE LIFT STATION DETAILS			
CONCRETE SEWAGE LIFT STATION ASSY. W/ SOLIDS HANDLING PUMPS			
SCALE: * PLOT: 3/8"=1'	QUOTE NO.	PROJECT NO.	
DRAWN BY: JJM	DATE: 7/25/02	SHEET	DRAWING NO.
CHECKED BY: HM	DATE: 7/25/02	1 OF 1	LS3-C-S

REV.	DATE	DESCRIPTION	APPROV.

THIS DRAWING CONTAINS INFORMATION THAT IS PROPRIETARY TO POLLUTION CONTROL SYSTEMS AND IS NOT TO BE USED WITHOUT WRITTEN PERMISSION OF POLLUTION CONTROL SYSTEMS INC.



**PLAN VIEW PUMP MTG.**  
CUTOUT TO ACCOMADATE MOUNTING OF RAILS AND REMOVAL OF PUMP AND CL MIN. DIMENSION FOR FITTINGS



**NOTES:**

- 1) ALL PIPING & PARTS TO BE SUPPLIED BY OTHERS UNLESS SHOWN ON PCS EQUIPMENT LIST.
- 2) ALL CONCRETE WORK AND WALL SLEEVES ARE TO BE SUPPLIED AND INSTALLED BY THE CONTRACTOR
- 3) ELECTRICAL CONDUIT AND WIRING BETWEEN JUNCTION BOX AND AND CONTROL PANEL IS SUPPLIED AND INSTALLED BY THE INSTALLING CONTRACTOR PER ENGINEERS SPECIFICATIONS
- 4) INCOMING POWER TO THE ELECTRICAL CONTROL PANEL IS TO BE FURNISHED BY THE CUSTOMER.
- 5) FLOAT LOCATIONS ARE FIELD ADJUSTABLE TO MODIFY RUN TIME OF PUMPS AS WELL AS ALARM SETTINGS. FIVE (5) MINUTE RUN TIME OF PUMPS IS A MINIMUM TO PREVENT PUMP OVERHEATING
- 6) PUMP AND BASE WITH GUIDE RAILS TO BE MOUNTED AND INSTALLED BEFORE FLOOR GROUTING FROM OUTSIDE EDGES INWARD.
- 7) MANWAY SIZE MUST ACCOMADATE PUMPS, PIPING AND RAIL SYSTEM. REMOVAL OF BOTH PUMPS
- 8) VENT PIPING IN CONCRETE TO BE SUPPLIED BY INSTALLING CONTRACTOR.

PCS EQUIPMENT SUPPLY LIST	
(2)	SUBMERSIBLE SOLIDS HANDLING PUMPS
(2)	3" GALV. VERTICAL DISCHARGE PIPE
(2)	2" DIA. GUIDE RAIL ASSY'S W/ BASE
(2)	STN. STL. LIFTING CHAIN
(4)	MERCURY BULB STYLE FLOAT SWITCHES
(1)	NEMA ELECTRICAL JUNCTION BOX W/ CORDGRIPS FOR PUMPS & FLOATS
(1)	ELECTRICAL CONTROL PANEL

\* PLOT SCALE BASED ON B-SIZE SHEET 11"x17"

**PCS** Pollution Control Systems, Inc.  
5827 Happy Hollow Ln, Suite 1B  
Milford, Ohio 45150  
(513) 831-1165  
E-mail PolConSys@aol.com

TREATMENT PLANT LIFT STATION DETAILS			
<b>SEWAGE LIFT STATION ASSY. W/ SOLIDS HANDLING PUMPS &amp; VALVE BOX</b>			
SCALE: * PLOT: 1/8"=1'	QUOTE NO.	PROJECT NO.	
DRAWN BY: JJM	DATE: 7/25/02	SHEET	DRAWING NO.
CHECKED BY: HM	DATE: 7/25/02	1 OF 1	LS3-C-S-VB

REV.	DATE	DESCRIPTION	APPROV.

THIS DRAWING CONTAINS INFORMATION THAT IS PROPRIETARY TO POLLUTION CONTROL SYSTEMS AND IS NOT TO BE USED WITHOUT WRITTEN PERMISSION OF POLLUTION CONTROL SYSTEMS INC.